



Central Valley Regional Water Quality Control Board

XX March 2025

Tracie Mueller
Wastewater Utility Manager
City of Roseville
1800 Booth Road
Roseville, CA 95747

VIA EMAIL:
trmueller@roseville.ca.us
CERTIFIED MAIL
9589 0710 5270 0591 2585 04

TENTATIVE NOTICE OF APPLICABILITY (NOA); MUNICIPAL WASTEWATER DISCHARGERS THAT MEET OBJECTIVES/CRITERIA AT THE POINT OF DISCHARGE TO SURFACE WATER ORDER R5-2023-0025 (MUNICIPAL GENERAL ORDER), NATIONAL POLLUTANT DISCHARGE ELIMINATION SYSTEM (NPDES) CAG585001; CITY OF ROSEVILLE, DRY CREEK WASTEWATER TREATMENT PLANT, PLACER COUNTY

Our office received a Notice of Intent (NOI) dated 26 July 2023 from the City of Roseville (Discharger), for discharge of tertiary treated domestic wastewater to surface water from the Dry Creek Wastewater Treatment Plant (Facility) to Dry Creek. The Municipal General Order requires the submittal of an NOI to apply for regulatory coverage of a surface water discharge. Based on the NOI and subsequent information submitted by the Discharger, staff have determined that the NOI requirements have been fulfilled and the Facility is eligible for coverage under the Municipal General Order. This Facility's discharge is assigned Municipal General Order Enrollee Number R5-2023-0025-008 under NPDES Permit CAG585001. Please reference your Municipal General Order Enrollee Number, **R5-2023-0025-008**, in your correspondence and submitted documents.

Discharges to surface water from the Facility are currently regulated by the Municipal General Order R5-2017-0085-02 through an NOA issued by the Executive Officer on 28 June 2019, Municipal General Order Enrollee Number R5-2017-0085-004 (NOA R5-2017-0085-004). This NOA, Enrollee Number R5-2023-0025-008 (NOA R5-2023-0025-008), authorizing coverage under the 2023 Municipal General Order, shall become effective on **1 April 2025**, at which time the terms and conditions in the Discharger's NOA R5-2017-0085-004 under General Order R5-2017-0085-02 will cease to be effective except for enforcement purposes. To meet the provisions contained in division 7 of the Water Code (commencing with section 13000) and regulations adopted thereunder, and the provisions of the Clean Water Act (CWA) and regulations and guidelines adopted thereunder, the Discharger shall comply with the requirements contained in the 2023 Municipal General Order and as specified in this NOA R5-2023-0025-008. This action in no way prevents the Central Valley Regional Water Quality Control Board (Central Valley Water Board) from taking enforcement action for past violations of NOA R5-2017-0085-004.

NICHOLAS AVDIS, CHAIR | PATRICK PULUPA, EXECUTIVE OFFICER

The enclosed [Municipal General Order](https://www.waterboards.ca.gov/centralvalley/board_decisions/general_orders/r5-2023-0025_npdes.pdf) is available online (https://www.waterboards.ca.gov/centralvalley/board_decisions/general_orders/r5-2023-0025_npdes.pdf) and can be requested by email or phone from the [NPDES Permitting Contacts webpage](https://www.waterboards.ca.gov/centralvalley/water_issues/waste_to_surface_water/contacts/) (https://www.waterboards.ca.gov/centralvalley/water_issues/waste_to_surface_water/contacts/). You are urged to familiarize yourself with the entire contents of the enclosed document.

The Monitoring and Reporting Program, Attachment E to the Municipal General Order, contains the general monitoring and reporting requirements. The Discharger specific monitoring and reporting requirements are included within this NOA R5-2023-0025-008 as Appendix D. **Only the monitoring and reporting requirements specifically listed in Appendix D of this NOA R5-2023-0025-008 are applicable to this Facility.**

The discharge of treated domestic wastewater shall be in accordance with the requirements contained in the Municipal General Order, as specified in this NOA R5-2023-0025-008.

Table 1. Facility Information

WDID	5A310106001
CIWQS Facility Place ID	220768
Discharger	City of Roseville
Name of Facility	Dry Creek Wastewater Treatment Plant
Facility Street Address	1800 Booth Road
Facility City, State, Zip Code	Roseville, CA 95747
Facility County	Placer
Facility Contact, Title and Phone	Eric Robarge, Chief Operator, (916) 746-1803
Authorized Person to Sign and Submit Reports	Tracie Mueller, Wastewater Utility Manager, (916) 259-6693
Mailing Address	1800 Booth Road, Roseville, CA 95747
Billing Address	Same as Mailing
Type of Facility	Publicly Owned Treatment Works (POTW)
Major or Minor Facility	Major
Threat to Water Quality	1
Complexity	A
Pretreatment Program	Yes
Recycled Water Requirements	See Master Reclamation Permit, Order 97-147, Amendment No. 2
Facility Design Average Dry Weather Flow (ADWF)	18 Million Gallons Per Day (MGD)
Permitted ADWF	18 MGD
Watershed	Lower American
Receiving Water	Dry Creek
Receiving Water Type	Inland Surface Water
Discharge Point 001	Latitude: 38° 43' 53" N, Longitude: 121° 18' 58" W

I. FACILITY INFORMATION

The Discharger provides sewerage service for the southeast portion of the City of Roseville, other areas of Placer County, and the South Placer Municipal Utility District, and serves a population of approximately 108,500. The design average dry weather flow capacity of the Facility is 18.0 MGD.

The tertiary treatment system at the Facility consists of the following:

- headworks with screening and grit removal;
- four primary clarifiers;
- eight aeration basins with nitrification/denitrification;
- six secondary clarifiers;
- four cooling towers;
- three sand/antracite down-flow tertiary filters;
- five UV disinfection channels;
- one concrete lined UV backwash water pond;
- one 2-acre concrete lined emergency storage pond; and
- one 16-acre high-density polyethylene (HDPE) lined emergency storage pond.

Two on-site emergency storage ponds are utilized to store influent during large storm events to prevent overwhelming of the treatment process, to store partially treated wastewater, and to prevent plant upsets by the influent that would be harmful to the treatment process. The influent is stored in the emergency storage ponds usually no more than 2 days and all of the wastewater in the ponds is re-routed through the plant for treatment. Use of the Facility's emergency storage ponds are part of the treatment process as described above, and thus are covered by the provisions in the Municipal General Order, as specified in this NOA. Tertiary treated wastewater may be recycled in the Discharger's reclaimed water distribution system or discharged from Discharge Point 001 to Dry Creek. The specifications and use of reclaimed water is covered under a separate Master Reclamation Permit (Order 97-147, Amendment 2) issued to the Discharger in accordance with California Code of Regulations, Title 22 and the California Water Code.

Solids handling facilities include:

- gravity belt thickener;
- anaerobic sludge digesters;
- sludge holding tanks;
- belt filter press; and
- sludge collection trailers for collection, transport and disposal.

The Biosolids are land applied or composted by a third-party contractor under the contractor's Waste Discharge Requirements.

II. RECEIVING WATER BENEFICIAL USES

The Facility discharges from Discharge Point 001 to Dry Creek, a tributary to the Sacramento River via the Natomas East Main Drainage Canal within the Lower American River watershed. According to the Water Quality Control Plan for the Sacramento River and San Joaquin River Basins (Basin Plan) and the Tributary Rule, the following beneficial uses apply to Dry Creek:

- Municipal and Domestic Supply (MUN);
- Agricultural Supply (AGR);
- Water Contact Recreation (REC-1);
- Non-contact Water Recreation (REC-2);
- Warm Freshwater Habitat (WARM);
- Cold Freshwater Habitat (COLD);
- Wildlife Habitat (WILD);
- Migration of Aquatic Organisms (MIGR);
- Spawning, Reproduction, and/or Early Development (SPWN); and
- Navigation (NAV).

According to the Basin Plan, groundwater underlying the Facility is designated with the following beneficial uses:

- Municipal and Domestic Supply (MUN);
- Agricultural Supply, Including Irrigation and Stock Watering (AGR);
- Industrial Service Supply (IND); and
- Industrial Process Supply (PRO).

III. RECEIVING WATER TOTAL MAXIMUM DAILY LOADS (TMDLS)

Dry Creek is listed for indicator bacteria on the Clean Water Act 303(d) 2020-2022 List of impaired water bodies. A TMDL and subsequent waste load allocation have not been adopted at this time for indicator bacteria in Dry Creek. Indicator bacteria does not exhibit reasonable potential to cause or contribute to an exceedance of water quality objectives/criteria from the Facility's discharge. Therefore, no final effluent limitations for indicator bacteria have been required in this NOA. If a TMDL for Dry Creek is completed for indicator bacteria, the Municipal General Order may be reopened to implement the new TMDL(s), and this NOA can subsequently be amended to include final effluent limitations for indicator bacteria accordingly.

IV. DISCHARGE PROHIBITIONS

Discharge prohibitions are contained in section IV of the Municipal General Order. Only the discharge prohibitions listed below are applicable to this Facility.

- A.** The discharge of wastes, other than those described in section I.A and meeting the eligibility criteria in section I.B of the Municipal General Order, is prohibited unless the Discharger obtains coverage under another general or individual Order that regulates the discharge of such wastes. The discharge of wastes at a location or in a manner different from that described in the NOI and this NOA R5-2023-0025-008 is prohibited.
- B.** The bypass or overflow of wastes to surface waters is prohibited, except as allowed by Federal Standard Provisions sections I.G. and I.H in Attachment D, Standard Provisions, of the Municipal General Order.
- C.** Neither the discharge nor its treatment shall create a nuisance as defined in section 13050 of the Water Code.
- D.** Discharge of waste classified as 'hazardous', as defined in the CCR, Title 22,

section 66261.1 et seq., is prohibited.

E. Average Dry Weather Flow. Discharges exceeding an average dry weather flow of 18.0 MGD are prohibited.

V. EFFLUENT LIMITATIONS

A. Effluent Limitations – Discharge Point 001

The Discharger shall maintain compliance with the following effluent limitations in sections V.A.1 through V.A.6 of this NOA when discharging to Discharge Point 001. Effluent limitations are provided in the Municipal General Order. Only the effluent limitations listed below in sections V.A.1 through V.A.6 are applicable to this Facility. Unless otherwise specified in this NOA R5-2023-0025-008, compliance with effluent limitations in sections V.A.1 through V.A.6 shall be measured at Monitoring Location EFF-001, as described in the Monitoring and Reporting Program (MRP), Appendix D of this NOA R5-2023-0025-008.

1. The Discharger shall maintain compliance with the effluent limitations specified in Table 2.

Table 2. Effluent Limitations

Parameter	Units	Average Monthly	Average Weekly
Biochemical Oxygen Demand, 5-day @ 20°C (BOD ₅)	milligrams per liter (mg/L)	10	15
Total Suspended Solids (TSS)	mg/L	10	15
Ammonia, Total (as N)	mg/L	3.1	6.9
Nitrate plus Nitrite, Total (as N)	mg/L	10	13

2. **pH.** The pH shall at all times be within the range of 6.5 and 8.5.
3. **Percent Removal.** The average monthly percent removal of BOD₅ and TSS shall not be less than 85 percent.
4. **Total Coliform Organisms.** Effluent total coliform organisms shall not exceed:
 - a. 2.2 most probable number per 100 milliliters (MPN/100 mL), as a 7-day median;
 - b. 23 MPN/100 mL, more than once in any 30-day period; and
 - c. 240 MPN/100 mL, at any time.
5. **Chronic Whole Effluent Toxicity**
 - a. **Maximum Daily Effluent Limitation (MDEL).** No chronic aquatic toxicity test using *Pimephales promelas* shall result in a “Fail” (as defined in section V.B of the MRP) at the Instream Waste Concentration (IWC) for the sub-lethal endpoint measured in the test **AND** a percent effect greater than or equal to 50 percent (as defined in section V.B of the MRP) for the survival endpoint.

- b. **Monthly Median Effluent Limitation (MMEL).** No more than one chronic aquatic toxicity test using *Pimephales promelas* initiated in a toxicity calendar month shall result in a "Fail" (as defined in section V.B of the MRP) at the IWC for any endpoint.
6. **Electrical Conductivity @ 25°C.** Effluent electrical conductivity shall not exceed 900 µmhos/cm as an annual average.

VI. RECEIVING WATER LIMITATIONS

A. Surface Water Limitations

Receiving water limitations for surface water are contained in section VI.A of the Municipal General Order. Based on the information provided in the NOI, only the following receiving water limitations listed in Municipal General Order (section number given below) are applicable to this Facility.

- Biostimulatory Substances (section VI.A.3);
- Chemical Constituents (section VI.A.4);
- Color (section VI.A.5);
- Dissolved Oxygen (section VI.A.6.a);
- Floating Material (section VI.A.7);
- Oil and Grease (section VI.A.8);
- pH (section VI.A.9.a);
- Pesticides (section VI.A.10.a and b);
- Radioactivity (section VI.A.11);
- Suspended Sediments (section VI.A.12);
- Settleable Substances (section VI.A.13);
- Suspended Material (section VI.A.14);
- Taste and Odors (section VI.A.15);
- Temperature (section VI.A.16.d). The Facility discharge shall not cause the following in Dry Creek:
 - i. The natural temperature to be increased by more than 5°F on an annual average. Compliance to be determined based on the difference in temperature at Monitoring Locations RSW-001 and RSW-002.
 - ii. The natural temperature at Monitoring Location RSW-002 to exceed a daily average temperature of 15.6°C (60°F) and a daily maximum temperature of 16.7°C (62°F) between 1 November through 31 March.
- Toxicity (section VI.A.17.a); and
- Turbidity (section VI.A.18.a).

B. Groundwater Limitations

Release of waste constituents from any storage, treatment, or disposal component associated with the Facility shall not cause the underlying groundwater to contain waste constituents in concentrations greater than background water quality or groundwater quality objectives, whichever is greater.

VII. MONITORING AND REPORTING

MRP requirements are contained in Appendix D of this NOA R5-2023-0025-008.

VIII. PROVISIONS

Provisions are contained in section VII of the Municipal General Order and the applicable provisions are referenced below:

A. Standard Provisions

Applicable to all Dischargers.

B. Monitoring and Reporting Program Requirements

The MRP applicable to this Facility is contained in Appendix D of this NOA R5-2023-0025-008.

C. Special Provisions

Special Provisions are contained in section VII.C of the Municipal General Order. Only the following Special Provision sections from the Municipal General Order apply to this Facility, as specified in Table 3 below:

Table 3. Summary of Applicable Special Provisions

Special Provision	Section Reference
1. Reopener Provisions	a. Major Modification of Treatment Works c. Water Effect Ratios (WERs) and Metal Translators
2. Special Studies, Technical Reports and Additional Monitoring Requirements	Not applicable
3. Best Management Practices and Pollution Prevention	c. Pyrethroid Management Plan
4. Construction, Operation and Maintenance Specifications	a. Filtration System Operating Specifications, subpart i only b. UV Disinfection System Operating Specifications i. UV Dose, subpart (a) only; and ii. UV Transmittance, subpart (a) only; and iii-vi. c. Treatment/Storage Pond, i-xiii, excluding iv.(a), vii, and xii.
5. Special Provisions for Municipal Facilities	a. Pretreatment Requirements, i-iv only. b. Sludge/Biosolids Treatment or Discharge Specifications c. Resource Recovery from Anaerobically Digestible Material (ADM)
6. Other Special Provisions	a. Disinfection Requirements

Special Provision	Section Reference
7. Compliance Schedules	Not applicable

Table 3 Notes:

1. **Filtration System Operating Specifications.** Turbidity measurements at FIL-001 shall be used to determine compliance, unless the turbidity meter at FIL-001 is out of service, in which case turbidity measurements at UVS-001 shall be used to determine compliance.
2. **Pretreatment Requirements.** Pretreatment reporting requirements are included in section X.D.5 of Appendix D.

IX. COMPLIANCE DETERMINATION

Compliance determination language is contained and more fully described in section VIII of the Municipal General Order. Additional reporting requirements are included in section X of the MRP, Appendix D. Only the following compliance determination sections from the Municipal General Order apply to this Facility:

- A. BOD₅ and TSS Effluent Limitations;
- E. Average Dry Weather Flow Effluent Prohibition;
- F. Total Coliform Organisms Effluent Limitations;
- I. Effluent Limitations;
- J. Dissolved Oxygen Receiving Water Limitation;
- K. Whole Effluent Toxicity Effluent Limitations or Triggers;
- O. Period Average, Calendar Month Average, and Annual Average; and
- P. Turbidity Receiving Water Limitation.

X. ANTI-BACKSLIDING REQUIREMENTS

Anti-backsliding requirements are specified in the Municipal General Order, section V.D.3, Attachment F (Fact Sheet). Sections 402(o) and 303(d)(4) of the CWA and federal regulations at 40 Code of Federal Regulations (C.F.R.) section 122.44(l) restrict backsliding in NPDES permits. These anti-backsliding provisions require that effluent limitations in a reissued permit must be as stringent as those in the previous permit, with some exceptions in which limitations may be relaxed.

Effluent limitations for ammonia, acute toxicity, and flow are less stringent than prescribed in the previous NOA R5-2017-0085-004. This NOA R5-2023-0025-08 includes chronic toxicity effluent limitations in lieu of acute toxicity limitations. A more detailed anti-backsliding analysis is provided in Appendix C to this NOA R5-2023-0025-008 in section II.A Satisfaction of Anti-Backsliding Requirements, the relaxation of effluent limitations meets the exceptions provided in the federal anti-backsliding regulations.

XI. ANTIDEGRADATION REQUIREMENTS

Antidegradation requirements are specified in the Municipal General Order, section V.D.4, Attachment F (Fact Sheet). This NOA R5-2023-0025-008 does not allow an

increase in flow or mass of pollutants to the receiving water and the relaxation of effluent limitations for ammonia, acute toxicity, and flow are consistent with the antidegradation provisions of 40 C.F.R. 131.12 and State Water Resources Control Board (State Water Board) Resolution 68-16.

A more detailed discussion of antidegradation is provided in Appendix C to this NOA R5-2023-0025-008, section II.B Antidegradation Policies.

XII. RATIONALE FOR LIMITATIONS AND MONITORING REQUIREMENTS

Additional rationale for limitations and monitoring requirements is included in Attachment F, section V (Rationale for Effluent Limitations and Discharge Specifications), of the Municipal General Order and Appendix C of this NOA R5-2023-0025-008.

XIII. ENFORCEMENT

Failure to comply with the applicable requirements of the Municipal General Order, as specified in this NOA R5-2023-0025-008, may result in enforcement actions, which could include civil liability (penalties). Effluent limitation violations may be subject to a Mandatory Minimum Penalty (MMP) of \$3,000 per violation. In addition, late monitoring reports may be subject to MMPs and/or discretionary penalties of up to \$1,000 per day late. If discharges do not occur during any report monitoring period, the Discharger must still submit the monitoring report indicating that no discharge occurred to avoid being subject to enforcement actions.

XIV. COMMUNICATION

Until this NOA R5-2023-0025-008 becomes effective on 1 April 2025, you will need to comply with the effluent limitations, and monitoring and reporting requirements, contained in your existing NOA R5-2017-0085-004. For your monthly SMRs, you will need to demonstrate compliance with your existing NOA R5-2017-0085-004, through 31 March 2025. You will need to demonstrate compliance with this NOA R5-2023-0025-008 beginning 1 April 2025.

The Central Valley Water Board is implementing a Paperless Office system to reduce our paper use, increase efficiency, and provide a more effective way for our staff, the public, and interested parties to view documents in electronic form. Therefore, the Discharger is required to submit all self-monitoring, technical, and progress reports required by this NOA R5-2023-0025-008 via California Integrated Water Quality System (CIWQS) submittal. In general, if any monitoring data for a monitoring location can be submitted using a computable document format (CDF) file upload, then it should be submitted as a CDF file upload, such as characterization monitoring data. However, certain parameters that cannot be uploaded to the CIWQS data tables, such as Annual Operations Reports, should be uploaded as a Portable Document Format (PDF), Microsoft Word, or Microsoft Excel file attachment. Also, please upload or enter a cover letter summarizing the content of the report to the submittal tab of the CIWQS module for each submittal.

All other documents not required to be submitted via CIWQS shall be converted to a searchable PDF and submitted by email to centralvalleysacramento@waterboards.ca.gov. Please include the following information in the body of the email:

- Attention: NPDES Compliance and Enforcement Section
- Discharger: City of Roseville
- Facility: Dry Creek Wastewater Treatment Plant
- County: Placer County
- CIWQS Place ID: 220768

Documents that are 50 megabytes or larger must be transferred to a DVD or flash drive, and mailed to our office, attention "ECM Mailroom-NPDES".

Any person aggrieved by this action of the Central Valley Water Board may petition the State Water Board to review the action in accordance with California Water Code section 13320 and California Code of Regulations, Title 23, sections 2050 and following. The State Water Board must receive the petition by 5:00 p.m., 30 days after the date this NOA R5-2023-0025-008 is issued, except that if the thirtieth day following the date this NOA R5-2023-0025-008 is issued falls on a Saturday, Sunday, or state holiday, the petition must be received by the State Water Board by 5:00 p.m. on the next business day. [Links to the laws and regulations applicable to filing petitions](http://www.waterboards.ca.gov/public_notices/petitions/water_quality) (http://www.waterboards.ca.gov/public_notices/petitions/water_quality) may be found on the Internet or will be provided upon request.

Now that your NOA R5-2023-0025-008 has been issued, the Central Valley Water Board's Compliance and Enforcement Section will take over management of your case. Paul Wadding of the Compliance and Enforcement section is your point of contact for any questions regarding this NOA R5-2023-0025-008. If you find it necessary to make a change to your permitted operations, you will be directed to the appropriate Permitting staff. You may contact Paul Wadding by phone at (916) 464-4826 or email at Paul.Wadding@waterboards.ca.gov.

Patrick Pulupa
Executive Officer

Appendices:

- Appendix A – Facility Location Map
- Appendix B1 – Flow Schematic
- Appendix B2 – Facility Site Map
- Appendix C – Supplemental Fact Sheet
- Appendix D – Monitoring and Reporting Program
- Appendix E – Determination of WQBELs

Enclosure:

Municipal General Order R5-2023-0025 (Discharger Only [email only])

cc:

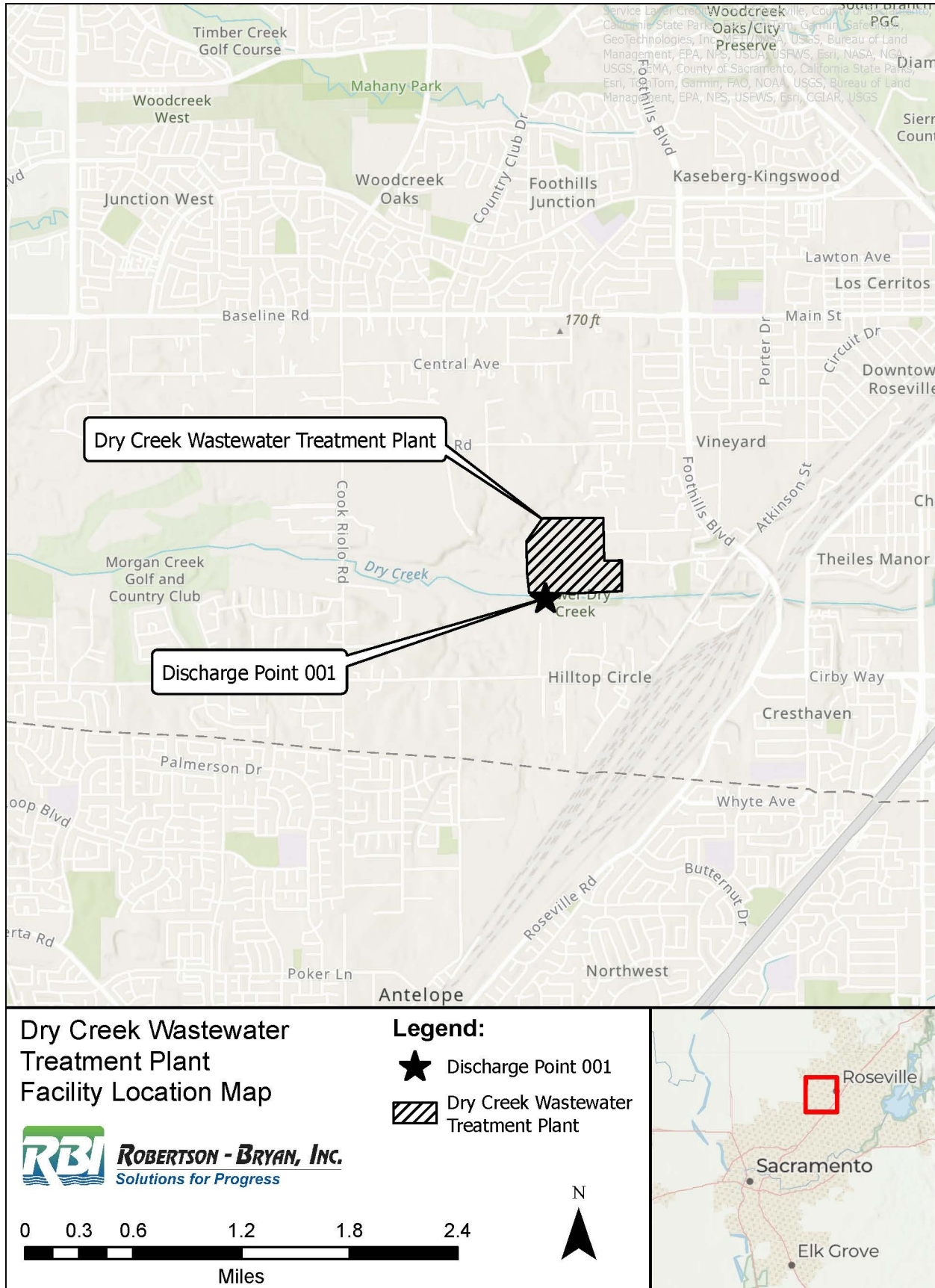
Peter Kozelka, U.S. EPA, Region IX, San Francisco (email only)
Prasad Gullapalli, U.S. EPA Region IX, San Francisco (email only)

City of Roseville
Dry Creek Wastewater Treatment Plant

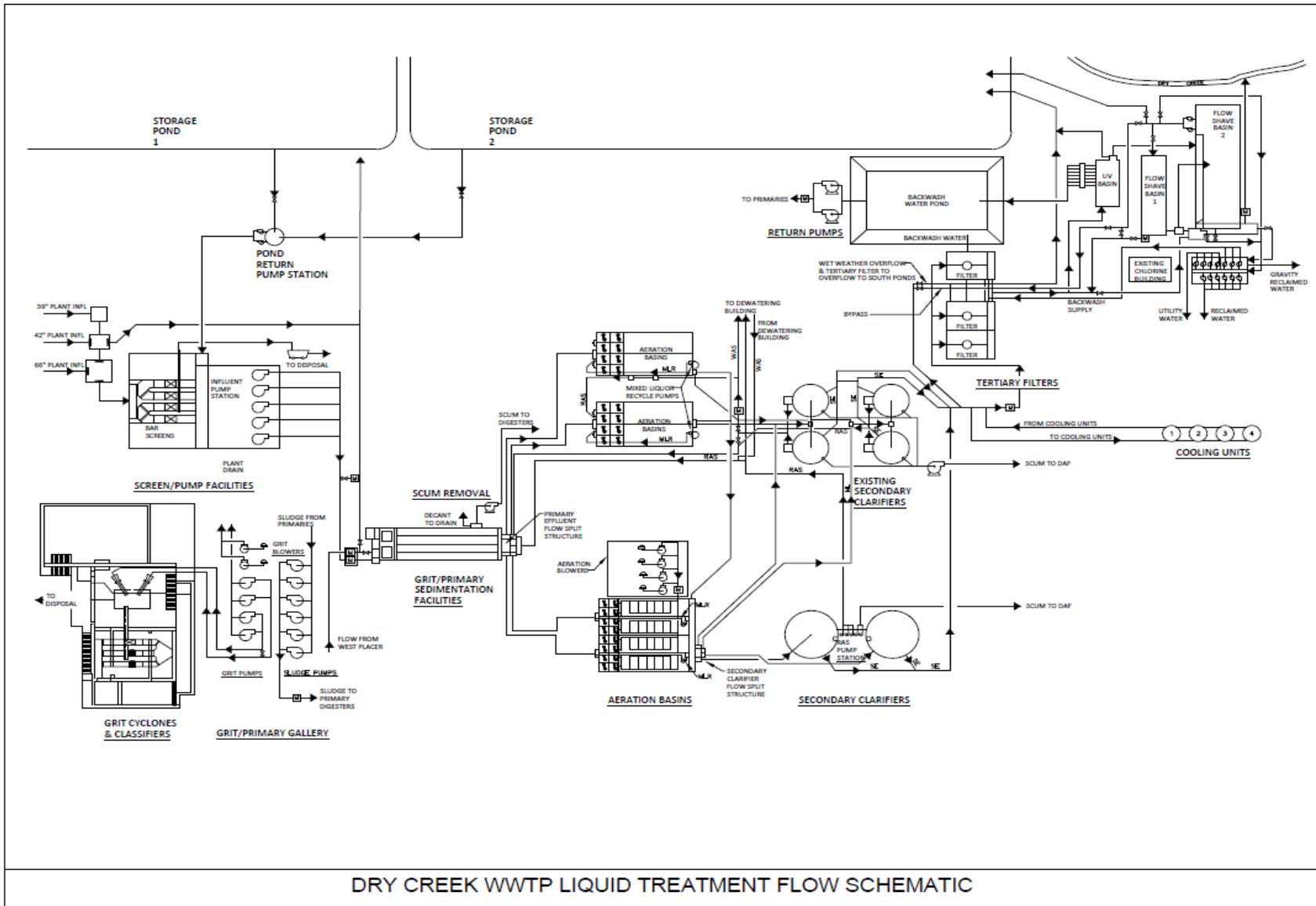
XX March 2025
R5-2023-0025-008

Afroz Farsimadan, California State Water Resources Control Board (email only)
Renan Jauregui, California State Water Resources Control Board (email only)
Jarma Bennett, California State Water Resources Control Board (email only)
Discharge Monitoring Reports, California State Water Resources Control Board (via
email at dmr@waterboards.ca.gov)
Chron File (RB5S-chron@Waterboards.ca.gov)
Xuan Luo, Central Valley Water Board, Rancho Cordova (email only)
Jessica Rader, Central Valley Water Board, Rancho Cordova (email only)

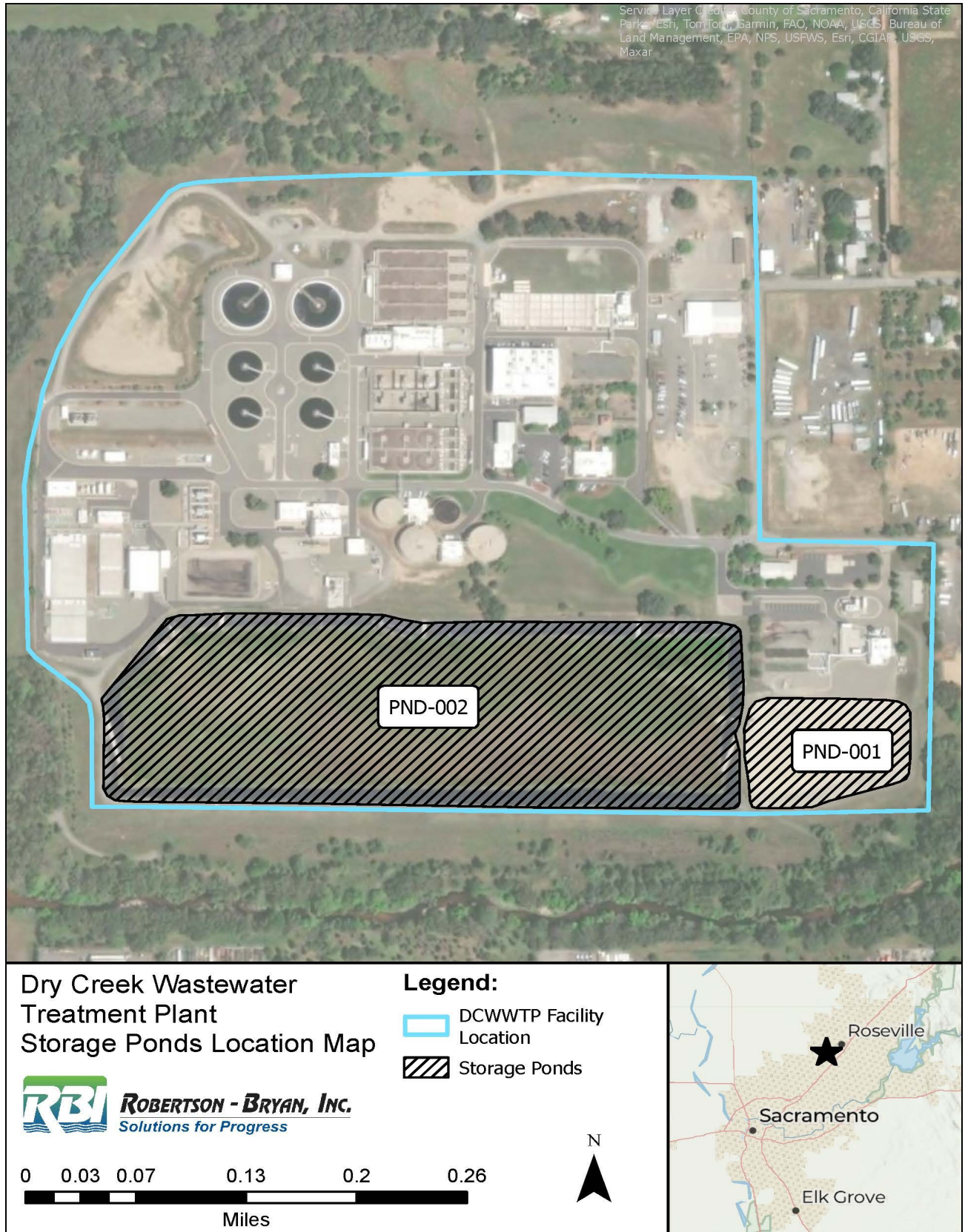
APPENDIX A – FACILITY LOCATION MAP



APPENDIX B1 – FLOW SCHEMATIC



APPENDIX B2 – FACILITY SITE MAP



APPENDIX C – SUPPLEMENTAL FACT SHEET

I. APPLICABLE PLANS, POLICIES, AND REGULATIONS

The requirements contained in this NOA R5-2023-0025-008 are based on the requirements and authorities described in Attachment F, section III of the Municipal General Order. In addition to the Fact Sheet contained in the Municipal General Order, the Central Valley Regional Water Quality Control Board (Central Valley Water Board) incorporates this Supplemental Fact Sheet as findings of the Central Valley Water Board supporting the issuance of this NOA R5-2023-0025-008.

II. FINAL EFFLUENT LIMITATION CONSIDERATIONS

A. Satisfaction of Anti-Backsliding Requirements

The Clean Water Act (CWA) specifies that a revised permit may not include effluent limitations that are less stringent than the previous permit unless a less stringent limitation is justified based on exceptions to the anti-backsliding provisions contained in CWA sections 402(o) or 303(d)(4), or, where applicable 40 Code of Federal Regulations (C.F.R.) section 122.44(l).

The effluent limitations in this NOA R5-2023-0025-008 are at least as stringent as the effluent limitations in the Facility's previous NOA R5-2017-0085-004, with the exception of effluent limitations for ammonia, acute toxicity, and flow. This NOA R5-2023-0025-008 establishes numeric effluent limitations for chronic toxicity which protect against acute and chronic toxicity. Consequently, the effluent limitations for toxicity are equally or more stringent than previous NOA R5-2017-0085-004 even though the previous acute toxicity effluent limitation has been replaced with a chronic toxicity effluent limitation. This relaxation and/or removal of effluent limitations is consistent with the anti-backsliding requirements of the CWA and federal regulations.

1. **CWA section 402(o)(1) and 303(d)(4).** CWA section 402(o)(1) prohibits the establishment of less stringent water quality-based effluent limits (WQBELs) "except in compliance with section 303(d)(4)." CWA section 303(d)(4) has two parts: paragraph (A) which applies to nonattainment waters and paragraph (B) which applies to attainment waters.
 - a. For waters where standards are not attained, CWA section 303(d)(4)(A) specifies that any effluent limit based on a TMDL or other waste load allocation (WLA) may be revised only if the cumulative effect of all such revised effluent limits based on such TMDLs or WLAs will assure the attainment of such water quality standards.
 - b. For attainment waters, CWA section 303(d)(4)(B) specifies that a limitation based on a water quality standard may be relaxed where the action is consistent with the antidegradation policy.

Dry Creek is considered an attainment water for ammonia and acute toxicity because the receiving water is not listed as impaired on the 303(d) list for these constituents. The exceptions in section 303(d)(4) address both waters in attainment with water quality standards and those not in attainment, i.e., waters on the section 303(d) impaired waters list (State Water Resources Control Board Order WQ-2008-0006, Berry Petroleum Company, Poso Creek/McVan Facility). As discussed below, relaxation of the ammonia effluent limitations and removal of the acute toxicity

effluent limitations complies with federal and state antidegradation requirements. Thus, relaxation and/or removal of these effluent limitations meets the exception in CWA section 303(d)(4)(B).

2. **CWA section 402(o)(2).** CWA section 402(o)(2) provides several exceptions to the anti-backsliding regulations. CWA 402(o)(2)(B)(i) allows a renewed, reissued, or modified permit to contain a less stringent effluent limitation for a pollutant if information is available which was not available at the time of permit issuance (other than revised regulations, guidance, or test methods) and which would have justified the application of a less stringent effluent limitation at the time of permit issuance.

Updated information that was not available at the time NOA R5-2017-0085-004 was issued indicates that acute toxicity does not exhibit reasonable potential to cause or contribute to an exceedance of water quality objectives in the receiving water and new information supports relaxed effluent limitations for ammonia. The updated information that supports the removal of the effluent limitations for acute toxicity and relaxation of ammonia effluent limitations includes the following:

- a. **Acute Toxicity.** Acute toxicity testing performed from March 2021 through February 2024 resulted in 100% survival of the test species (rainbow trout); therefore, the discharge does not show reasonable potential to cause acute toxicity in the receiving water.
- b. **Ammonia.** Ammonia testing performed from March 2021 through February 2024, as well as the implementation of the 2013 U.S. EPA National Ambient Water Quality Criteria for ammonia that were recalculated through a Central Valley Clean Water Association (CVCWA) special study (discussed below), resulted in the calculation of less stringent effluent limitations.

Thus, removal of the effluent limitations for acute toxicity and relaxation of the ammonia effluent limitations in this NOA R5-2023-0025-008 is in accordance with CWA section 402(o)(2)(B)(i), which allows for the relaxation or removal of effluent limitations based on information that was not available at the time the previous NOA R5-2017-0085-004 was issued. Furthermore, this NOA R5-2023-0025-008 establishes numeric effluent limitations for chronic toxicity which protect against acute and chronic toxicity.

3. **Flow.** NOA R5-2017-0085-004 included flow as an effluent limit at Discharge Point 001 based on the Facility design flow. Compliance with the flow limit was calculated using the average daily flow over three consecutive dry weather months. Flow is not a pollutant; therefore, flow has been changed from an effluent limit to a discharge prohibition in this NOA R5-2023-0025-008, which is an equivalent level of regulation. This NOA R5-2023-0025-008 is not less stringent because compliance with flow as a discharge prohibition will be calculated the same way as the previous NOA R5-2017-0085-004. Flow as a discharge prohibition adequately regulates the Facility, does not allow for an increase in the discharge of pollutants, and does not constitute backsliding.

B. Antidegradation Policies

This NOA R5-2023-0025-008 does not allow for an increase in flow or mass of pollutants to the receiving water. Therefore, a complete antidegradation analysis is not

necessary. This NOA R5-2023-0025-008 requires compliance with applicable federal technology-based standards and with WQBELs where the discharge could have the reasonable potential to cause or contribute to an exceedance of water quality standards. The permitted discharge is consistent with the antidegradation provisions of 40 C.F.R. section 131.12 and the State Anti-Degradation Policy. Compliance with these requirements will result in the use of best practicable treatment or control of the discharge. The impact on existing water quality will be insignificant.

This NOA R5-2023-0025-008 relaxes or removes effluent limitations for ammonia, acute toxicity, and flow. Based on Facility performance, the relaxation or removal of these effluent limitations is not expected to result in an increase in pollutants concentration or loading, a decrease in the level of treatment or control, or a reduction of water quality. Implementation of this NOA R5-2023-0025-008 will result in the best practicable treatment or control of the discharge necessary to assure that a pollution or nuisance will not occur and the highest water quality consistent with the maximum benefit to the people of the State will be maintained. Thus, the relaxation and removal of effluent limitations for these constituents is consistent with the antidegradation provisions of 40 C.F.R. section 131.12 and State Water Resources Control Board (State Water Board) Resolution No. 68-16.

C. Salinity (Electrical Conductivity or EC)

Based on effluent electrical conductivity data collected from March 2021 through February 2024, the maximum calendar annual average electrical conductivity of the effluent was 520 $\mu\text{mhos/cm}$. The Basin Plan contains a chemical constituent objective that incorporates by reference numeric thresholds for certain specified water bodies for electrical conductivity. Numeric values for the protection of these uses are typically based on site-specific conditions and evaluations to determine the appropriate constituent threshold necessary to interpret the narrative chemical constituent Basin Plan objective. The applicable numeric limit to implement the narrative objective for the protection of agricultural supply is 900 $\mu\text{mhos/cm}$. This site-specific threshold for the Facility was adopted into the Basin Plan by the Central Valley Water Board on 10 December 2020 (Resolution R5-2020-0057) to determine the applicability of the Salt Control Program's Conservative Permitting Pathway.

When only considering the numeric water quality standards for salinity, the discharge does not have reasonable potential to cause or contribute to an in-stream excursion of water quality objectives for salinity. However, due to the Region-wide concerns regarding salinity and to ensure implementation of the Basin Plan's numeric water quality objectives, effluent limitations for EC that are applicable to this Facility are included. The EC concentration of the effluent is within the historical range of the EC concentration observed in Dry Creek and below the Salt Control Program's 900 $\mu\text{mhos/cm}$ site-specific threshold for the Conservative Permitting Pathway to protect the agricultural supply beneficial use of this receiving water. Under the State Antidegradation Policy, the waste discharge requirements must result in the best practicable treatment or control (BPTC) of the discharge necessary to assure that (a) a pollution or nuisance will not occur; and (b) the highest water quality consistent with maximum benefit to the people of the State will be maintained. In this case, the Discharger is currently utilizing BPTC, and an annual average effluent limitation of 900

µmhos/cm for EC is applied limiting the discharge to current levels (thus ensuring that BPTC will continue to be met).

D. Ammonia

The Municipal General Order includes findings which describe a special study by the CVCWA titled the *Freshwater Mussel Collaborative Study for Wastewater Treatment Plants*. Site-specific ammonia criteria were developed as part of the CVCWA study and are used in the Municipal General Order to implement the Basin Plan's narrative toxicity objective to protect aquatic life beneficial uses of the receiving water. Equations for calculating acute and chronic ammonia criteria differ depending on whether salmonids and/or unionid mussels are present in a facility's receiving water. Salmonoids are known to utilize Dry Creek making the salmonoids-present criteria applicable.

Phase II of the CVCWA study evaluated and field-verified an environmental-DNA (eDNA) sampling technique to determine the presence or absence of unionid mussels in typical receiving waters for Central Valley POTWs. For the CVCWA study, monitoring for unionid mussel eDNA was conducted in Dry Creek during October 2015 at four monitoring locations: 1 mile upstream of the Facility's outfall, 200 feet upstream of the Facility's outfall (at RSW-001 monitoring location), and 1 and 4 miles downstream of the Facility's outfall. Replicate samples collected at each location all tested negative for the presence of all three unionid mussel species known to reside in California. The CVCWA study also documented that unionid mussels had not previously been observed or reported to occur in Dry Creek. Therefore, acute and chronic ammonia criteria were calculated using the CVCWA Criteria Recalculation Report assuming salmonids present and mussels absent.

III. RATIONALE FOR RECEIVING WATER LIMITATIONS

A. Surface Water

CWA section 303(a-c), requires states to adopt water quality standards, including criteria where they are necessary to protect beneficial uses. The Central Valley Water Board adopted water quality criteria as water quality objectives in the Basin Plan. The Basin Plan states that "[t]he numerical and narrative water quality objectives define the least stringent standards that the Regional Water Board will apply to regional waters in order to protect the beneficial uses." The Basin Plan includes numeric and narrative water quality objectives for various beneficial uses and water bodies. This NOA R5-2023-0025-008 contains receiving surface water limitations based on the Basin Plan numerical and narrative water quality objectives for biostimulatory substances, color, chemical constituents, dissolved oxygen, floating material, oil and grease, pH, pesticides, radioactivity, suspended sediment, settleable substances, suspended material, tastes and odors, temperature, toxicity, and turbidity.

B. Groundwater

Groundwater limitations are required to protect the beneficial uses of the underlying groundwater.

IV. RATIONALE FOR MONITORING REQUIREMENTS

CWA section 308 and 40 C.F.R. sections 122.41(h), (j)-(l), 122.44(i), and 122.48 require that all NPDES permits specify monitoring and reporting requirements. Water Code

sections 13267 and 13383 also authorize the Central Valley Water Board to establish monitoring, inspection, entry, reporting, and recordkeeping requirements. The Monitoring and Reporting Program, Attachment E of the Municipal General Order establishes monitoring, reporting, and recordkeeping requirements that implement federal and state requirements. The following provides the rationale for the monitoring requirements contained in Monitoring and Reporting Program (MRP), Appendix D, of this NOA R5-2023-0025-008.

A. Influent Monitoring

1. Influent monitoring is required to collect data on the characteristics of the wastewater and to assess compliance with effluent limitations (e.g., BOD₅ and TSS reduction requirements). All monitoring frequencies from NOA R5-2017-0085-004 have been carried forward in this NOA R5-2023-0025-008.

B. Effluent Monitoring

1. Pursuant to the requirements of 40 C.F.R. section 122.44(i)(2) effluent monitoring is required for all constituents with effluent limitations. Effluent monitoring is necessary to assess compliance with effluent limitations, assess the effectiveness of the treatment process, and to assess the impacts of the discharge on the receiving stream.

The following effluent monitoring frequencies have been revised from NOA R5-2017-0085-004. All other effluent sampling frequencies from NOA R5-2017-0085-004 are carried forward to this NOA R5-2023-0025-008:

Table C-1. Revised Sampling Frequencies for Effluent Monitoring

Parameter	Unit	Prior Sample Frequency	Revised Sample Frequency	Rationale for Sample Frequency Revision
Dissolved Organic Carbon	mg/L	Not Required	1/Quarter	Add monitoring to calculate site-specific freshwater aluminum criteria for the next renewal
Dissolved Oxygen	mg/L	Not Required	1/Month	Add monitoring to determine effluent DO impact on the receiving water
Hardness, Total (as CaCO ₃)	mg/L	1/Month	1/Quarter	Quarterly monitoring is adequate for determining compliance
Acute Toxicity	% survival	2/Year	Discontinue	A chronic aquatic toxicity test is generally protective of both chronic and acute aquatic toxicity

C. Whole Effluent Toxicity Testing Requirements

1. Acute Toxicity – Not Applicable

2. Chronic Toxicity. Chronic whole effluent toxicity testing is required when discharging to Dry Creek in order to demonstrate compliance with the Statewide Toxicity Provisions and the final effluent limitations in this NOA R5-2023-0025-008. Based on the Statewide Toxicity Provisions and the Municipal General Order, the effluent discharge can retain once per quarter chronic toxicity testing because the discharge qualifies for reduced monitoring from once per month sampling.

D. Land Discharge Monitoring – Not Applicable

E. Recycled Water Monitoring

1. Recycled water monitoring is covered under a separate Master Reclamation Permit (Order 97-147, Amendment 2) issued to the Discharger in accordance with California Code of Regulations, Title 22 and the California Water Code.

F. Receiving Water Monitoring

1. Dry Creek

a. Receiving water monitoring is necessary to assess compliance with receiving water limitations and to assess the impact of the discharge to Dry Creek.

The following receiving water monitoring frequencies have been revised from NOA R5-2017-0085-004. All other receiving water sampling frequencies from NOA R5-2017-0085-004 are carried forward to this NOA R5-2023-0025-008:

Table C-2. Revised Sampling Frequencies for Receiving Water Monitoring

Parameter	Unit	Prior Sample Frequency	Revised Sample Frequency	Rationale for Sample Frequency Revision
Dissolved Organic Carbon	mg/L	Not Required	1/Quarter	Add monitoring to calculate site-specific freshwater aluminum criteria for the next permit renewal.
Turbidity	NTU	Not Required	1/Month	Add monitoring for compliance with the Basin Plan.

2. Groundwater Not Applicable

G. Biosolids Monitoring

1. Biosolids monitoring for compliance with 40 C.F.R. part 503 regulations administered by U.S. EPA is not included in the Municipal General Order, and therefore, is not included in this NOA R5-2023-0025-008.

The following webpage provides information on compliance with [U.S. EPA’s part 503 biosolids program](https://www.epa.gov/biosolids/compliance-and-annual-reporting-guidance-about-clean-water-act-laws) (https://www.epa.gov/biosolids/compliance-and-annual-reporting-guidance-about-clean-water-act-laws).

Biosolids monitoring is required to ensure compliance with pretreatment requirements contained in C.F.R. part 403, included in the Municipal General Order

and as specified in the MRP, Appendix D of this NOA R5-2023-0025-008. Biosolids monitoring is required per U.S. EPA guidance to evaluate the effectiveness of the pretreatment program.

H. Ponds Monitoring

1. Monitoring is required of the emergency storage ponds to ensure proper operation. Monitoring of the emergency storage ponds has been retained from existing NOA R5-2017-0085-004.

I. Municipal Water Supply Monitoring – Not Applicable

J. Filtration System Monitoring

1. The monitoring frequency for turbidity (continuous) is retained from the previous NOA R5-2017-0085-004 to evaluate compliance with the filtration system operating specifications.

K. UV Disinfection System Monitoring

1. Monitoring frequencies for flow (continuous), number of UV banks in operation (continuous), UV transmittance (continuous), UV dose (continuous), and total coliform organisms (3/Week) have been retained from previous NOA R5-2017-0085-004, to evaluate compliance with UV disinfection system operating specifications. Turbidity monitoring (continuous) is added in this NOA R5-2023-0025-008 and monitoring for turbidity is only required at UVS-001 to evaluate compliance when the turbidity meter at FIL-001 is out of service.

L. Pyrethroid Pesticides Monitoring

1. Pyrethroid pesticides monitoring was not required in the previous NOA R5-2017-0085-004. On 8 June 2017, the Central Valley Water Board adopted Resolution R5-2017-0057, which adopted the Basin Plan Amendment for the Control of Pyrethroid Pesticide Discharges (Pyrethroid Control Program). Pyrethroid pesticides water column chemistry monitoring and water column toxicity monitoring have been included in this NOA R5-2025-0025-008 in accordance with the Pyrethroid Control Program. Based on the Basin Plan, the goals of the pyrethroid pesticides baseline monitoring are to determine if pyrethroids are in the discharge: 1) exceed pyrethroid numeric triggers and 2) cause or contribute to exceedances of the narrative water quality objective for toxicity in receiving waters. This second goal is achieved through the collection of paired pyrethroid water column chemistry and toxicity data.

The Discharger performed pyrethroid pesticides water column chemistry monitoring of the effluent and upstream and downstream receiving water from August 2016 through October 2017 during the term of the existing NOA R5-2017-0085-004. However, the Discharger did not perform water column toxicity monitoring as required by the Pyrethroid Control Program. Therefore, to obtain equivalent data to meet the goals of the Pyrethroid Control Program, pyrethroid pesticides monitoring is included in this NOA R5-2023-0025-008.

M. Effluent and Receiving Water Characterization Monitoring

1. NOA R5-2017-0085-004 included quarterly effluent characterization monitoring events for one year. This NOA R5-2023-0025-008 retains the quarterly effluent

characterization monitoring events to be completed between 1 July 2026 and 30 June 2027, as specified in section IX.F of Appendix D.

2. NOA R5-2017-0085-004 included two upstream receiving water characterization monitoring events. This NOA R5-2023-0025-008 retains the two upstream receiving water characterization monitoring events to be completed once between 1 July 2026 and 30 September 2026 and once between 1 January 2027 and 31 March 2027. Each receiving water monitoring event shall be concurrent with the effluent characterization sampling event during the respective quarter, as specified in section IX.F of Appendix D.

V. PRETREATMENT PROVISION

A. Pretreatment Requirements

1. On 9 January 1984, the U.S. EPA approved the Discharger's Industrial Pretreatment Program in accordance with 40 CFR Part 403. The Industrial Pretreatment Program requires issuance of waste discharge permits to Significant Industrial Users/Categorical Industrial Users, Non-significant Industrial Users, and food service establishments (to control fats, oils, and grease). The program also regulates Significant Commercial Users and dental offices and implements best management practices.
2. The federal CWA section 307(b), and federal regulations, 40 C.F.R. part 403, require POTWs to develop an acceptable industrial pretreatment program. A pretreatment program is required to prevent the introduction of pollutants, which will interfere with treatment plant operations or sludge disposal, and prevent pass through of pollutants that exceed water quality objectives, standards or permit limitations. Pretreatment requirements are imposed pursuant to 40 C.F.R. part 403.
3. The Discharger shall implement and enforce its approved pretreatment program in accordance with 40 C.F.R. part 403 and is an enforceable condition of this NOA. If the Discharger fails to perform the pretreatment functions, the Central Valley Water Board, the State Water Board or U.S. EPA may take enforcement actions against the Discharger as authorized by the CWA.

VI. DISCHARGE MONITORING REPORT-QUALITY ASSURANCE (DMR-QA) STUDY PROGRAM

- A.** Under the authority of section 308 of the CWA (33 U.S.C. section 1318), U.S. EPA requires all dischargers under the NPDES Program to participate in the annual DMR-QA Study Program. The DMR-QA Study evaluates the analytical ability of laboratories that routinely perform or support self-monitoring analyses required by NPDES permits. There are two options to satisfy the requirements of the DMR-QA Study Program: (1) The Discharger can obtain and analyze a DMR-QA sample as part of the DMR-QA Study; or (2) Per the waiver issued by U.S. EPA to the State Water Board, the Discharger can submit the results of the most recent Water Pollution Performance Evaluation Study from their own laboratories or their contract laboratories. A Water Pollution Performance Evaluation Study is similar to the DMR-QA Study. Thus, it also evaluates a laboratory's ability to analyze wastewater samples to produce quality data that ensures the integrity of the NPDES Program. The Discharger shall submit annually the results of the DMR-QA Study or the results of the most recent Water Pollution

Performance Evaluation Study to the State Water Board. The State Water Board's Quality Assurance Program Officer will send the DMR-QA Study results or the results of the most recent Water Pollution Performance Evaluation Study to U.S. EPA's DMR-QA Coordinator and Quality Assurance Manager.

VII. RECYCLED WATER POLICY ANNUAL REPORTS

- A.** On 11 December 2018, the State Water Board adopted Resolution 2018-0057, which amends the Recycled Water Policy, section 3, to require wastewater and recycled water dischargers to annually report monthly volumes of influent, wastewater produced, and effluent, including treatment level and discharge type. Therefore, to incorporate monitoring and reporting required by the Recycled Water Policy, the Municipal General Order requires annual reporting of wastewater and recycled water use into Geotracker and confirmation of annual reporting to Geotracker is required by this NOA R5-2023-0025-008.

VI. SUMMARY OF REASONABLE POTENTIAL ANALYSIS

Abbreviations used in Table C-3:

- MEC = Maximum Effluent Concentration
 B = Maximum Receiving Water Concentration
 C = Criterion used for Reasonable Potential Analysis
 CMC = Criterion Maximum Concentration
 CCC = Criterion Continuous Concentration
 Water and Org = Human Health Criterion for Consumption of Water and Organisms
 Org Only = Human Health Criterion for Consumption of Organisms Only
 Basin Plan = Numeric Site-Specific Basin Plan Water Quality Objective
 MCL = Drinking Water Standards Maximum Contaminant Level
 RP= Reasonable Potential

Table C-3. SUMMARY OF REASONABLE POTENTIAL ANALYSIS

Parameter	Units	MEC	B	C	CMC	CCC	Water and Org	Org. Only	Basin Plan	MCL	RP
Ammonia, Total (as N)	mg/L	2.05	0.18	3.30	8.11	3.30	--	--	--	--	Yes ⁱⁱⁱ
Nitrate Plus Nitrite (as N)	mg/L	11	0.11	10	--	--	--	--	--	10	Yes ⁱⁱⁱ
Electrical Conductivity @ 25°C	µmhos/cm	570	290	900	--	--	--	--	900	--	No

1. Table C-3 Notes:

- i. **CMC.** For ammonia, the CMC or criterion maximum concentration is based on the U.S. EPA National Recommended Ambient Water Quality Criteria Freshwater Aquatic Life Protection, 1-hour average.
- ii. **CCC.** For ammonia, the CCC or criterion continuous concentration is based on the U.S. EPA National Recommended Ambient Water Quality Criteria Freshwater Aquatic Life Protection, 30-day average.
- iii. **Ammonia and Nitrate plus Nitrite.** Reasonable potential exists due to the biological processes inherent to the treatment of domestic wastewater.
- iv. **Electrical Conductivity.** Reasonable potential does not exist, however an effluent limitation is included in this NOA R5-2023-0025-008 in order to determine the applicability of the Salt Control Program’s conservative pathway.

Table C-4. SUMMARY OF CHRONIC TOXICITY DATA

Date	<i>Pimephales promelas</i>			
	Survival		Growth	
	% Effect	TST Result	% Effect	TST Result
05/25/2021	2.0	PASS	9.2	PASS
08/30/2021	-2.0	PASS	10	PASS
11/17/2021	0.0	PASS	17	PASS
02/28/2022	0.0	PASS	-11	PASS
05/09/2022	16	PASS	2.5	PASS
07/26/2022	0.0	PASS	6.9	PASS
10/24/2022	5.0	PASS	10	PASS
02/20/2023	5.0	PASS	11	PASS
06/05/2023	0.0	PASS	-18	PASS
09/18/2023	0.0	PASS	1.6	PASS
12/11/2023	2.5	PASS	1.3	PASS

1. Table C-4 Notes:
 - i. **% Effect** at 100% effluent.
 - ii. **TST**. Test of Significant Toxicity.

APPENDIX D – MONITORING AND REPORTING PROGRAM

I. GENERAL MONITORING PROVISIONS 27

II. MONITORING LOCATIONS 28

III. INFLUENT MONITORING REQUIREMENTS 29

 A. Monitoring Location INF-001 29

IV. EFFLUENT MONITORING REQUIREMENTS 30

 A. Monitoring Location EFF-001 30

V. WHOLE EFFLUENT TOXICITY (WET) TESTING REQUIREMENTS 32

 A. Acute Toxicity Testing – Not Applicable 32

 B. Chronic Toxicity Testing 32

 C. Quality Assurance and Additional Requirements..... 34

 D. WET Testing Notification Requirements 35

 E. WET Testing Reporting Requirements 35

 F. Most Sensitive Species Screening 35

 G. Toxicity Reduction Evaluations..... 37

VI. LAND DISCHARGE MONITORING REQUIREMENTS – NOT APPLICABLE..... 37

VII. RECYCLED WATER MONITORING REQUIREMENTS – NOT APPLICABLE 37

VIII. RECEIVING WATER MONITORING REQUIREMENTS 37

 A. Monitoring Locations RSW-001 and RSW-002..... 37

IX. OTHER MONITORING REQUIREMENTS 39

 A. Biosolids – Not Applicable 39

 B. Ponds 39

 C. Municipal Water Supply – Not Applicable 40

 D. Filtration System..... 40

 E. Ultraviolet Light (UV) Disinfection System 40

 F. Pyrethroid Pesticides Monitoring 42

 G. Effluent and Receiving Water Characterization 45

X. REPORTING REQUIREMENTS..... 51

 A. General Monitoring and Reporting Requirements 51

 B. Self-Monitoring Reports..... 51

 C. Discharge Monitoring Reports (DMRs)..... 55

 D. Other Reports 55

Tables

Table D-1. Monitoring Station Locations 28

Table D-2. Influent Monitoring 29

Table D-3. Effluent Monitoring..... 30

Table D-4. Receiving Water Monitoring Requirements 38

Table D-5. Filtration Monitoring Requirements 40

Table D-6. UV Disinfection System Monitoring Requirements 40

Table D-7. Pyrethroid Pesticides Monitoring 42

Table D-8. Pyrethroid Pesticide Partition Coefficients 44

Table D-9. Effluent and Receiving Water Characterization Monitoring 46

Table D-10. Monitoring Periods and Reporting Schedule 52

Table D-11. Technical Reports..... 60

APPENDIX D – MONITORING AND REPORTING PROGRAM (MRP)

The Municipal General Order contains monitoring and reporting requirements in Attachment E. Some of the monitoring and reporting requirements listed in the Municipal General Order are not applicable to the Facility. The monitoring and reporting requirements applicable to the Facility are contained in this Appendix and are described herein.

The Code of Federal Regulations (40 C.F.R. § 122.48) requires that all NPDES permits specify monitoring and reporting requirements. Water Code sections 13267 and 13383 also authorize the Central Valley Regional Water Quality Control Board (Central Valley Water Board) to require technical and monitoring reports. This MRP establishes monitoring and reporting requirements that implement state and federal regulations.

I. GENERAL MONITORING PROVISIONS

- A.** Samples and measurements taken as required herein shall be representative of the volume and nature of the monitored discharge. All samples shall be taken at the monitoring locations specified below and, unless otherwise specified, before the monitored flow joins or is diluted by any other waste stream, body of water, or substance. Monitoring locations shall not be changed without notification to and the approval of the Central Valley Water Board.
- B.** Final effluent samples shall be taken downstream of the last addition of wastes to the treatment or discharge works where a representative sample may be obtained prior to mixing with the receiving waters. Samples shall be collected at such a point and in such a manner to ensure a representative sample of the discharge.
- C.** Chemical, bacteriological, and bioassay analyses of any material required by this NOA R5-2023-0025-008 shall be conducted by a laboratory accredited for such analyses by the State Water Resources Control Board (State Water Board), Division of Drinking Water (DDW), in accordance with the provision of Water Code section 13176. Laboratories that perform sample analyses must be identified in all monitoring reports submitted to the Central Valley Water Board. Data generated from field measurements such as, pH, dissolved oxygen, electrical conductivity (EC), turbidity, and temperature are exempt pursuant to Water Code section 13176. A manual containing the steps followed in this program for any field measurements such as, but not limited to, pH, dissolved oxygen, EC, turbidity, and temperature must be kept onsite in the treatment facility laboratory and shall be available for inspection by Central Valley Water Board staff. The Discharger must demonstrate sufficient capability (qualified and trained employees, properly calibrated and maintained field instruments, etc.) to adequately perform these field measurements. The Quality Assurance-Quality Control Program must conform to U.S. EPA guidelines or to procedures approved by the Central Valley Water Board.
- D.** Appropriate flow measurement devices and methods consistent with accepted scientific practices shall be selected and used to ensure the accuracy and reliability of measurements of the volume of monitored discharges. All monitoring instruments and devices used by the Discharger to fulfill the prescribed

monitoring program shall be properly maintained and calibrated as necessary, at least yearly, to ensure their continued accuracy. All flow measurement devices shall be calibrated at least once per year to ensure continued accuracy of the devices.

- E. Monitoring results, including noncompliance, shall be reported at intervals and in a manner specified in this MRP.
- F. Laboratory analytical methods shall be sufficiently sensitive in accordance with the Sufficiently Sensitive Methods Rule (SSM Rule) specified under 40 C.F.R. 122.21(e)(3) and 122.44(i)(1)(iv). A U.S. EPA-approved analytical method is sufficiently sensitive for pollutant/parameter where:
 - The method minimum level (ML) is at or below the applicable water quality objective for the receiving water, or;
 - The method ML is above the applicable water quality objective for the receiving water but the amount of the pollutant/parameter in the discharge is high enough that the method detects and quantifies the level of the pollutant/parameter, or;
 - The method ML is above the applicable water quality objective for the receiving water, but the ML is the lowest of the 40 C.F.R. 136 U.S. EPA-approved analytical methods for the pollutant/parameter.
- G. The Discharger shall ensure that the results of the Discharge Monitoring Report-Quality Assurance (DMR-QA) Study or the most recent Water Pollution Performance Evaluation Study are submitted annually, via email, to QualityAssurance@waterboards.ca.gov to the State Water Resources Control.
- H. The Discharger shall file with the Central Valley Water Board technical reports on self-monitoring performed according to the detailed specifications contained in this MRP.
- I. The results of all monitoring required by this MRP shall be reported to the Central Valley Water Board and shall be submitted in such a format as to allow direct comparison with the limitations and requirements of the NOA R5-2023-0025-008. Unless otherwise specified, discharge flows shall be reported in terms of the monthly average and the daily maximum discharge flows.

II. MONITORING LOCATIONS

The Discharger shall establish the monitoring locations listed in Table D-1 to demonstrate compliance with the effluent limitations, discharge specifications, and other requirements in this NOA R5-2023-0025-008.

Table D-1. Monitoring Station Locations

Discharge Point Name	Monitoring Location Name	Monitoring Location Description
--	INF-001	A location where a representative sample of the influent into the Facility can be collected.

Discharge Point Name	Monitoring Location Name	Monitoring Location Description
001	EFF-001	A location where a representative sample of wastewater can be collected immediately downstream of the ultraviolet light (UV) disinfection system and the last connection through which water can be admitted into the outfall. Latitude: 38° 43' 53" N - Longitude: 121° 18' 58" W
--	RSW-001	In Dry Creek, approximately 200 feet upstream of Discharge 001.
--	RSW-002	In Dry Creek, approximately 200 feet downstream of Discharge 001.
--	BIO-001	A location where a representative sample of the biosolids can be obtained.
--	FIL-001	Monitoring of the filter effluent to be measured downstream of the filters and upstream of the point of diversion to the emergency storage ponds.
--	UVS-001	A location where a representative sample of wastewater can be collected immediately upstream of the UV disinfection system.
--	UVS-002	A location where a representative sample of wastewater can be collected immediately downstream of the UV disinfection system.
--	PND-001	Monitoring within Emergency Storage Pond (East Pond).
--	PND-002	Monitoring within Emergency Storage Pond (West Pond).

Table D-1 Note:

1. The North latitude and West longitude information in Table D-1 are approximate for administrative purposes.

III. INFLUENT MONITORING REQUIREMENTS

A. Monitoring Location INF-001

1. The Discharger shall monitor influent to the Facility at Monitoring Location INF-001 when discharging to Dry Creek as specified in Table D-2 and the testing requirements described in section III.A.2 below:

Table D-2. Influent Monitoring

Parameter	Units	Sample Type	Sampling Frequency
Flow	million gallons per day (MGD)	Meter	Continuous
Biochemical Oxygen Demand (5-day @ 20°C)	mg/L	24-hour Composite	1/Week

Parameter	Units	Sample Type	Sampling Frequency
Total Suspended Solids	mg/L	24-hour Composite	1/Week

2. **Table D-2 Testing Requirements.** The Discharger shall comply with the following testing requirements when monitoring for the parameters described in Table D-2:
 - a. **Applicable to all parameters.** Parameters shall be analyzed using the analytical methods described in 40 C.F.R. part 136; or by methods approved by the Central Valley Water Board or the State Water Board. In addition, if requested by the Discharger, the sample type may be modified by the Executive Officer to another 40 C.F.R. part 136 allowed sample type.
 - b. **Composite Sample.** All composite samples shall be collected from a 24-hour flow proportional composite.

IV. EFFLUENT MONITORING REQUIREMENTS

A. Monitoring Location EFF-001

1. The Discharger shall monitor treated domestic wastewater at Monitoring Location EFF-001 when discharging to Dry Creek, as specified in Table D-3 and the testing requirements in section IV.A.2. If there was no discharge to receiving water during the designated monitoring period, monitoring is not required for that period. If there was no discharge, the Discharger shall so state in the monthly self-monitoring report (SMR).

Table D-3. Effluent Monitoring

Parameter	Units	Sample Type	Sampling Frequency
Flow	MGD	Meter	Continuous
Biochemical Oxygen Demand (5-day @ 20°C)	mg/L	24-hr Composite	1/Week
	percent removed	Calculate	1/Month
pH	standard units	Grab	1/Day
Total Suspended Solids	mg/L	24-hr Composite	1/Week
	percent removed	Calculate	1/Month
Ammonia, Total (as N)	mg/L	Grab	1/Week
Dissolved Oxygen	mg/L	Grab	1/Month

Parameter	Units	Sample Type	Sampling Frequency
Dissolved Organic Carbon (DOC)	mg/L	Grab	1/Quarter
Electrical Conductivity @ 25°C	µmhos/cm	Grab	1/Month
Hardness, Total (as CaCO ₃)	mg/L	Grab	1/Quarter
Nitrate Plus Nitrite, Total (as N)	mg/L	Calculate or Grab	1/Month
Nitrate (as N)	mg/L	Grab	1/Month
Nitrite (as N)	mg/L	Grab	1/Month
Temperature	°F	Grab	1/Day

2. **Table D-3 Testing Requirements.** The Discharger shall comply with the following testing requirements when monitoring for the parameters described in Table D-3:
 - a. **Applicable to all parameters.** Pollutants shall be analyzed using the analytical methods described in 40 C.F.R. Part 136 or by methods approved by the Central Valley Water Board or the State Water Board. In addition, if requested by the Discharger, the sample type may be modified by the Executive Officer to another 40 C.F.R. part 136 allowed sample type.
 - b. **Composite Sample.** All composite samples shall be collected from a 24-hour flow proportional composite.
 - c. **Grab Sample.** A grab sample is defined as an individual discrete sample collected over a period of time not exceeding 15 minutes. It can be taken manually, using a pump, scoop, vacuum, or other suitable device.
 - d. **Ammonia.** Ammonia samples shall be taken at approximately the same time and on the same date as the pH and temperature samples.
 - e. **Field Meter.** A hand-held field meter may be used for **dissolved oxygen, electrical conductivity, pH, and temperature**, provided the meter utilizes a U.S. EPA-approved algorithm/method and is calibrated and maintained in accordance with the manufacturer's instructions. A calibration and maintenance log for each meter used for monitoring required by this MRP shall be maintained at the Facility.
 - f. **Dissolved Organic Carbon.** Dissolved organic carbon samples shall be taken at approximately the same time and on the same date as the hardness and pH samples.

- g. **Temperature, pH, Hardness, Dissolved Oxygen, and Dissolved Organic Carbon.** The effluent samples for temperature, pH, hardness, dissolved oxygen, and dissolved organic carbon shall be taken at approximately the same time and on the same date with the receiving water samples for these parameters (see Table D-4).
- h. **Flow.** Flow shall be reported in terms of the daily total.

V. WHOLE EFFLUENT TOXICITY (WET) TESTING REQUIREMENTS

A. Acute Toxicity Testing – Not Applicable

B. Chronic Toxicity Testing

The Discharger shall meet the following chronic toxicity testing requirements:

1. **Instream Waste Concentration (IWC) for Chronic Toxicity.** The chronic toxicity IWC is 100 percent effluent.
2. **Routine Monitoring Frequency.** The Discharger shall perform reduced routine chronic toxicity testing **once per toxicity calendar quarter** when there is expected to be at least 15 days of discharge within the toxicity calendar quarter. While the Discharger is conducting a TRE, the Executive Officer may authorize a reduction in the frequency of routine monitoring to a minimum of two (2) chronic aquatic toxicity tests per toxicity calendar year. The Discharger shall return to the routine monitoring schedule either at the conclusion of the TRE or one year after the initiation of the TRE, whichever occurs sooner.
3. **Toxicity Calendar Month, Quarter, and Year**
 - a. **Toxicity Calendar Month.** The toxicity calendar month is defined as the period of time beginning on the day of the initiation of the routine toxicity monitoring to the day before the corresponding day of the next month if the corresponding day exists, or if not to the last day of the next month (i.e., from January 1 to January 31, from February 15 to March 14, etc.).
 - b. **Toxicity Calendar Quarter.** A toxicity calendar quarter is defined as **three consecutive toxicity calendar months**. For purposes of this NOA R5-2023-0025-008, the toxicity calendar quarters **begin on January 1, April 1, July 1, and October 1** (i.e., from January 1 to March 31, from April 1 to June 30, from July 1 to September 30, etc.).
 - c. **Toxicity Calendar Year.** A toxicity calendar year is defined as **twelve consecutive toxicity calendar months**. For purposes of this NOA R5-2023-0025-008, the toxicity calendar year **begins on January 1** (i.e., January 1 to December 31).
4. **Chronic Toxicity Monthly Median Effluent Limitation (MMEL) Compliance Testing.** If a routine chronic toxicity monitoring test results in a “Fail” (as defined in section V.C below) at the IWC, then a maximum of two chronic toxicity MMEL compliance tests shall be completed. The chronic toxicity MMEL compliance tests shall be initiated within the same toxicity calendar month that the routine monitoring chronic toxicity test was initiated

that resulted in the “Fail” at the IWC. If the first chronic toxicity MMEL compliance test results in a “Fail” at the IWC, then the second chronic toxicity MMEL compliance test is unnecessary and is waived.

5. **Additional Routine Monitoring Tests for Toxicity Reduction Evaluation (TRE) Determination.** In order to determine if a TRE is necessary, an additional routine monitoring test is required when there is one violation of the chronic toxicity MDEL or MMEL, but not two violations, in a single toxicity calendar month. This additional routine monitoring test is not required if the Discharger is already conducting a TRE. This additional routine monitoring test shall be initiated within two weeks after the toxicity calendar month in which the MMEL or MDEL violation occurred. The toxicity calendar month of the violation and the toxicity calendar month of the additional routine monitoring shall be considered “successive toxicity calendar months” for purposes of determining whether a TRE is required. This additional routine monitoring test is also used for compliance purposes and could result in the need to conduct MMEL compliance testing per section V.B.4 above.
6. **Sample Volumes.** Adequate sample volumes shall be collected to provide renewal water to complete the test in the event that the discharge is intermittent.
7. **Test Species.** The testing shall be conducted using the most sensitive species. The Discharger shall conduct chronic toxicity tests with the **fathead minnow (*Pimephales promelas*)**.

The Executive Officer shall have discretion to allow the temporary use of the next appropriate species as the most sensitive species when the Discharger submits documentation and the Executive Officer determines that the Discharger has encountered unresolvable test interference or cannot secure a reliable supply of test organisms. The “next appropriate species” is a species in Table 1 of the Statewide Toxicity Provisions in the same test method classification (e.g., chronic aquatic toxicity test methods, acute aquatic toxicity test method), in the same salinity classification (e.g., freshwater or marine), and in the same taxon as the most sensitive species. When there are no other species in Table 1 in the same taxon as the most sensitive species (e.g., freshwater chronic toxicity tests), the “next appropriate species” is the species exhibiting the highest percent effect at the IWC tested in the species sensitivity screening other than the most sensitive species.

8. **Test Methods.** The Discharger shall conduct the chronic toxicity tests on effluent samples at the IWC for the discharge in accordance with species and test methods described in Short-term Methods for Estimating the Chronic Toxicity of Effluents and Receiving Waters to Freshwater Organisms (EPA/821/R02/013, 2002; Table IA, 40 C.F.R. part 136).
9. **Dilution and Control Water.** Dilution water and control water shall be prepared and used as specified in the test methods manual. If dilution water and control water are different from test organism culture water, then a

second control using culture water shall also be used. A receiving water control or laboratory water control may be used as the diluent.

10. **Test Failure.** If the effluent chronic toxicity test does not meet all test acceptability criteria (TAC) specified in the referenced test method in EPA/821-R-02-013, the Discharger must conduct a Replacement Test as soon as possible, as specified in subsection B.11, below.
11. **Replacement Test.** When a required toxicity test for routine monitoring or a MMEL compliance test is not completed, a new toxicity test to replace the toxicity test that was not completed shall be initiated as soon as possible. The new toxicity test shall replace the routine monitoring or MMEL compliance test, as applicable, for the toxicity calendar month in which the toxicity test that was not completed was required to be initiated, even if the new toxicity test is initiated in a subsequent toxicity calendar month. The new toxicity test for routine monitoring or for the MMEL compliance test, as applicable, and any MMEL compliance tests required to be conducted due to the results of the new toxicity test shall be used to determine compliance with the effluent limitations for the toxicity calendar month in which the toxicity test that was not completed was required to be initiated. The new toxicity test and any MMEL compliance test required to be conducted due to the results of the new toxicity test shall not be used to substitute for any other required toxicity tests.

If it is determined that any specific monitoring event was not initiated in the required time period due to circumstances outside of the Discharger's control that were not preventable with the reasonable exercise of care, the Discharger is not required to initiate the specific monitoring event in the required time period if the Discharger promptly initiates or ultimately completes a replacement test.

C. Quality Assurance and Additional Requirements

Quality assurance measures, instructions, and other recommendations and requirements are found in the test methods manual previously referenced. Additional requirements are below:

1. The discharge is subject to determination of "Pass" or "Fail" from a chronic toxicity test using the Test of Significant Toxicity (TST) statistical t-test approach described in section IV.B.1.c of the Statewide Toxicity Provisions.
2. The null hypothesis (Ho) for the TST statistical approach is:

Mean discharge IWC response \leq RMD x Mean control response, where the chronic RMD = 0.75 and the acute RMD = 0.80.

A test result that rejects this null hypothesis is reported as "Pass". A test result that does not reject this null hypothesis is reported as "Fail".

3. The relative "Percent Effect" at the discharge IWC is defined and reported as:

Percent Effect = ((Mean control response – Mean discharge IWC response) / (Mean control response)) x 100.

This is a t-test, a statistical analysis comparing two sets of replicate observations, i.e., a control and IWC. The purpose of this statistical test is to determine if the means of the two sets of observations are different (i.e., if the IWC differs from the control, the test result is “Fail”). The Welch’s t-test employed by the TST statistical approach is an adaptation of Student’s t-test and is used with two samples having unequal variances.

D. WET Testing Notification Requirements

The Discharger shall notify the Central Valley Water Board of test results exceeding the chronic toxicity effluent limitation as soon as the Discharger learns of the exceedance, but no later than 24-hours after receipt of the monitoring results.

E. WET Testing Reporting Requirements

The Discharger shall submit the full laboratory report for all toxicity testing (routine, MMEL, TRE, etc.) and, if applicable, progress reports on TREs as attachments to the quarterly SMRs in CIWQS, and shall provide the data (i.e., Pass/Fail) in the PET tool for uploading into CIWQS. The laboratory report shall include:

1. The valid toxicity test results for the TST statistical approach, reported as “Pass” or “Fail” and “Percent Effect” at the IWC for the discharge, the dates of sample collection and initiation of each toxicity test, and all results for effluent parameters monitored concurrently with the toxicity test(s);
2. The statistical analysis used in section IV.B.1.c of the Statewide Toxicity Provisions; and
3. Statistical program (e.g., TST calculator, CETIS, etc.) output results, including graphical plots, for each toxicity test.

F. Most Sensitive Species Screening

If the effluent used in the species sensitivity screening is no longer representative of the current effluent, the Discharger shall perform rescreening to re-evaluate the most sensitive species. The species sensitivity screening shall be conducted as follows:

1. **Frequency of Testing for Species Sensitivity Screening.** Species sensitivity screening for chronic toxicity shall include, at a minimum, a set of chronic WET testing conducted in **each toxicity calendar quarter in which there is expected to be at least 15 days of discharge**. Species sensitivity screening for chronic toxicity shall be conducted using the water flea (*Ceriodaphnia dubia*), fathead minnow (*Pimephales promelas*), and green alga (*Pseudokirchneriella subcapitata*). The tests shall be performed at an IWC of no less than 100 percent effluent.

When there is no representative effluent available to complete tests in one of the sets in a species sensitivity screening, that set of testing shall not be required.

2. **Determination of Most Sensitive Species.** The Central Valley Water Board will determine the most sensitive species from the water flea (*Ceriodaphnia*

dubia), fathead minnow (*Pimephales promelas*), and green alga (*Pseudokirchneriella subcapitata*) using the following procedure. If a single test in the species sensitivity screening testing results in a “Fail” using the TST statistical approach, then the species used in that test shall be established as the most sensitive species. If there is more than a single test that results in a “Fail”, then of the species with results of a “Fail”, the species that exhibits the highest percent effect shall be established as the most sensitive species. If none of the tests in the species sensitivity screening results in a “Fail”, but at least one of the species exhibits a percent effect greater than 10 percent, then the single species that exhibits the highest percent effect shall be established as the most sensitive species. In all other circumstances, the Executive Officer shall have discretion to determine which single species is the most sensitive considering the test results from the species sensitivity screening.

The “next appropriate species” is a species in Table 1 of the Statewide Toxicity Provisions in the same test method classification (e.g., chronic aquatic toxicity test methods, acute aquatic toxicity test method), in the same salinity classification (e.g., freshwater or marine), and in the same taxon as the most sensitive species. When there are no other species in Table 1 in the same taxon as the most sensitive species (e.g., freshwater chronic toxicity tests), the “next appropriate species” is the species exhibiting the highest percent effect at the IWC tested in the species sensitivity screening other than the most sensitive species. The Executive Officer shall have discretion to allow the temporary use of the next appropriate species as the most sensitive species when the Discharger submits documentation and the Executive Officer determines that the Discharger has encountered unresolvable test interference or cannot secure a reliable supply of test organisms.

The most sensitive species shall be used for chronic toxicity testing for the remainder of the permit term. The Discharger may use the four most recent tests for use in determining the most sensitive species if the tests were conducted in a manner sufficient to make such determination.

If the most sensitive species cannot be determined from the species sensitivity screening discussed above, the Discharger shall rotate the test species as the most sensitive species every toxicity calendar year as follows:

- a. *Ceriodaphnia dubia* (survival and reproduction test) for the remainder of the toxicity calendar year this NOA R5-2023-0025-008 is issued;
- b. *Pimephales promelas* (larval survival and growth test) for the entire toxicity calendar year following the toxicity calendar year this NOA R5-2023-0025-008 is issued;
- c. *Pseudokirchneriella subcapitata* (growth test) for the entire toxicity calendar year of the second year following the toxicity calendar year this NOA R5-2023-0025-008 is issued; and

- d. Cycling back to *Ceriodaphnia dubia* (survival and reproduction test) after *Pseudokirchneriella subcapitata* (growth test) and continuing through the same rotation as above.

If a single test exhibits toxicity, demonstrated by a test that results in a “Fail” using the TST statistical approach, then the species used in that test shall be established as the most sensitive species until the next NOA reissuance.

G. Toxicity Reduction Evaluations

Reports for TREs shall be submitted in accordance with the schedule contained in the Discharger’s approved TRE Work Plan, or as amended by the Discharger’s TRE Action Plan.

1. **TRE Implementation.** The Discharger is required to initiate a TRE when there is any combination of two or more chronic toxicity MDEL or MMEL violations within a single toxicity calendar month or within two successive toxicity calendar months (as defined in paragraph V.B.5 above). If other information indicates toxicity (e.g., results of additional monitoring, results of monitoring at a higher concentration than the IWC, fish kills, or intermittent recurring toxicity), the Central Valley Water Board may require a TRE. A TRE may also be required when there is no effluent available to complete a routine monitoring test or MMEL compliance test.
 - a. **Preparation and Implementation of Detailed TRE Action Plan.** The Discharger shall conduct TREs in accordance with an approved TRE Work Plan. Within 30 days of the test result that triggered the TRE, the Discharger shall submit to the Executive Officer a TRE Action Plan per the Discharger’s approved TRE Work Plan. The TRE Action Plan shall include the following information, and comply with additional conditions set by the Executive Officer:
 - i. Specific actions the Discharger will take to investigate and identify the cause(s) of toxicity, including a TRE WET monitoring schedule;
 - ii. Specific actions the Discharger will take to mitigate the impact of the discharge and prevent the recurrence of toxicity; and
 - iii. A schedule for these actions, progress reports, and the final report.
 - b. The Central Valley Water Board recognizes that toxicity may be episodic and identification of causes and reduction of sources of toxicity may not be successful in all cases. The TRE may be ended at any stage if monitoring finds there is no longer toxicity.

VI. LAND DISCHARGE MONITORING REQUIREMENTS – NOT APPLICABLE

VII. RECYCLED WATER MONITORING REQUIREMENTS – NOT APPLICABLE

VIII. RECEIVING WATER MONITORING REQUIREMENTS

A. Monitoring Locations RSW-001 and RSW-002

1. The Discharger shall monitor Dry Creek at Monitoring Locations RSW-001 and RSW-002 when discharging to Dry Creek, as specified in Table D-4 and

the testing requirements in section VIII.A.2. If there was no discharge to the receiving water during the designated monitoring period, monitoring is not required during that period. If there is no upstream flow in the receiving water during the designated monitoring period, monitoring is not required at RSW-001 during that period. Whenever monitoring is not required, the Discharger shall state so in the monthly SMR.

Table D-4. Receiving Water Monitoring Requirements

Parameter	Units	Sample Type	Minimum Sampling Frequency
pH	standard units	Grab	1/Week
Dissolved Oxygen	mg/L	Grab	1/Month
Dissolved Organic Carbon (DOC)	mg/L	Grab	1/Quarter
Electrical Conductivity @ 25°C	µmhos/cm	Grab	1/Month
Hardness, Total (as CaCO ₃)	mg/L	Grab	1/Quarter
Turbidity	NTU	Grab	1/Month
Temperature	°F	Grab	1/Week

2. **Table D-4 Testing Requirements.** The Discharger shall comply with the following testing requirements when monitoring for the parameters described in Table D-4:
 - a. **Applicable to all parameters.** Pollutants shall be analyzed using the analytical methods described in 40 C.F.R. Part 136 or by methods approved by the Central Valley Water Board or the State Water Board.
 - b. **Grab Sample.** A grab sample is defined as an individual discrete sample collected over a period of time not exceeding 15 minutes. It can be taken manually, using a pump, scoop, vacuum, or other suitable device.
 - c. **Field Meter.** A hand-held field meter may be used for **dissolved oxygen, electrical conductivity, pH, and temperature**, provided the meter utilizes a U.S. EPA-approved algorithm/method and is calibrated and maintained in accordance with the manufacturer's instructions. A calibration and maintenance log for each meter used for monitoring required by this MRP shall be maintained at the Facility.
 - d. **Dissolved Organic Carbon.** Dissolved organic carbon samples shall be taken at approximately the same time and on the same date as the hardness and pH samples.
 - e. **Temperature, pH, Hardness, Dissolved Oxygen, and Dissolved Organic Carbon.** The receiving water samples for temperature, pH,

hardness, dissolved oxygen, and dissolved organic carbon shall be taken at approximately the same time and on the same date with the effluent samples for these parameters (see Table D-3).

3. In conducting the receiving water sampling required by section VIII.A.1 above, a log shall be kept of the receiving water conditions throughout the reach bounded by Monitoring Locations RSW-001 and RSW-002. Attention shall be given to the presence or absence of:
 - a. Floating or suspended matter;
 - b. Discoloration;
 - c. Bottom deposits;
 - d. Aquatic life;
 - e. Visible films, sheens, or coatings;
 - f. Fungi, slimes, or objectionable growths; and
 - g. Potential nuisance conditions.

Notes on receiving water conditions shall be summarized in the monitoring report.

IX. OTHER MONITORING REQUIREMENTS

A. Biosolids – Not Applicable

1. Monitoring Location BIO-001

- a. Biosolids monitoring for compliance with 40 C.F.R. part 503 regulations administered by U.S. EPA is not included in the Municipal General Order, and therefore, is not included in this NOA. However, annual sludge monitoring is required for compliance with the pretreatment requirements as specified in the Municipal General Order, Attachment E, section X.D.5.a.

B. Ponds

1. Monitoring Locations PND-001 and PND-002

- a. The Discharger shall keep a log regarding the use of the ponds. In particular, the Discharger shall record in the log the following when any type of wastewater is directed to Emergency Storage Pond (East Pond) and Emergency Storage Pond (West Pond) at Monitoring Locations PND-001 and PND-002, respectively:
 - i. The date(s) when the wastewater is directed to the pond;
 - ii. The type(s) of wastewater (e.g., untreated due to plant upset, tertiary treated, etc.) directed to the pond;
 - iii. The total volume of wastewater directed to the pond (volume may be estimated); and
 - iv. The daily freeboard in the pond.

C. Municipal Water Supply – Not Applicable

D. Filtration System

1. Monitoring Location FIL-001

- a. When discharging to Dry Creek, the Discharger shall monitor the filtration system at Monitoring Location FIL-001 as specified in Table D-5 and the testing requirements in section IX.D.2.

Table D-5. Filtration Monitoring Requirements

Parameter	Units	Sample Type	Sampling Frequency
Turbidity	NTU	Meter	Continuous

- 2. **Table D-5 Testing Requirements.** The Discharger shall comply with the following testing requirements when monitoring for the parameters described in Table D-5:

- a. **Continuous Analyzer(s) for Turbidity.** The Discharger shall report documented routine meter maintenance activities including date, time of day, and duration, for instances in which a continuous measurement is not available for a period of 30 minutes or more due to the analyzer(s) not being in operation due to maintenance activities. If analyzer(s) fail to provide continuous monitoring for more than two hours and influent and/or effluent from the disinfection process is not diverted for retreatment, the Discharger shall obtain and report hourly manual and/or grab sample results.
- b. **Turbidity.** Report daily average and maximum turbidity.
- c. If the turbidity meter is out of service at FIL-001, turbidity shall be measured at UVS-001 for compliance purposes. If this occurs, the Discharger shall so state in the monthly SMR.

E. Ultraviolet Light (UV) Disinfection System

1. Monitoring Locations UVS-001 and UVS-002

- a. When discharging to Dry Creek, the Discharger shall monitor the UV disinfection system at Monitoring Location UVS-001 and UVS-002 as specified in Table D-6 and the testing requirements in section IX.E.2.

Table D-6. UV Disinfection System Monitoring Requirements

Parameter	Units	Sample Type	Sampling Frequency	Monitoring Location
Flow	MGD	Meter	Continuous	UVS-001
Number of UV Banks in operation	Number	Observation	Continuous	--
UV Transmittance	Percent	Meter	Continuous	UVS-001

Parameter	Units	Sample Type	Sampling Frequency	Monitoring Location
UV Dose	mJ/cm ²	Calculate	Continuous	--
Total Coliform Organisms	MPN/100 mL	Grab	3/Week	UVS-002
Turbidity	NTU	Meter	Continuous	UVS-001

2. **Table D-6 Testing Requirements.** The Discharger shall comply with the following testing requirements when monitoring for the parameters described in Table D-6:
- a. **Continuous Analyzers.** If analyzers are taken out of operation for routine maintenance activities and no continuous measurements are available from a redundant meter, the Discharger shall divert flow to another disinfection channel to the extent feasible. If the Discharger is not able to divert away from the analyzer and the analyzer is out of operation for longer than 30 minutes, the Discharger shall report documented routine meter maintenance activities including date, time of day, and duration, in which the analyzer(s) is not in operation and no continuous measurements are available from a redundant meter. If analyzer(s) fail to provide continuous monitoring for more than two hours and influent and/or effluent from the disinfection process is not diverted for retreatment, the Discharger shall obtain and report hourly manual and/or grab sample results.
 - b. The Discharger shall not decrease power settings or reduce the number of UV lamp banks in operation while the continuous analyzers are out of service and water is being disinfected.
 - c. **UV Banks.** Report daily minimum number of UV banks in operation.
 - d. **UV Transmittance.** Report daily minimum hourly average UV transmittance. The minimum hourly average transmittance shall consist of the lowest hourly average transmittance recorded over an hour of a day when flow is being discharged. If the system does not operate for an entire hour interval on a given day or if effluent flow is not discharged for an entire hour, the transmittance will be averaged based on the actual operation time when discharges occurred.
 - e. **UV Dose.** Report daily minimum hourly average UV dose. The minimum hourly average dose shall consist of the lowest hourly average dose provided in any channel that had at least one bank of lamps operating during the hour interval. For channels that did not operate for an entire hour interval or when effluent flow is not discharged for the entire hour, the dose will be averaged based on the actual operation time when discharges occurred.

- f. **Total Coliform Organisms.** Pollutant shall be analyzed using the analytical methods described in 40 C.F.R. Part 136 or by methods approved by the Central Valley Water Board or the State Water Board.
- g. **Turbidity** monitoring is only required at UVS-001 when the turbidity meter is out of service at FIL-001. When the turbidity meter at FIL-001 is out of service, turbidity shall be measured at UVS-001 for compliance purposes. If this occurs, the Discharger shall so state in the monthly SMR.

F. Pyrethroid Pesticides Monitoring

1. Monitoring Locations EFF-001 and RSW-002

- a. **Water Column Chemistry Monitoring Requirements.** The Discharger shall conduct effluent and receiving water baseline monitoring in accordance with Table D-7 as specified in this NOA R5-2023-0025-008. When discharging to Dry Creek, **quarterly monitoring shall be conducted for one year between 1 April 2026 through 31 March 2027**, in the same quarter as the Effluent and Receiving Water Characterization Monitoring (section IX.G). The Discharger shall also submit a minimum of one quality assurance/quality control (QA/QC) sample during the year to be analyzed for the constituents listed in Table D-7.

The monitoring shall be conducted in the effluent at monitoring location EFF-001 and in the downstream receiving water at monitoring location RSW-002, and the results of such monitoring shall be submitted to the Central Valley Water Board with the quarterly self-monitoring reports. The Discharger shall use Environmental Laboratory Accreditation Program (ELAP)-accredited laboratories and methods validated by the Central Valley Water Board staff for pyrethroid pesticides water column chemistry monitoring. A current list of ELAP-approved laboratories and points of contact can be found on the [Central Valley Water Board's Pyrethroid Pesticides TMDL and Basin Plan Amendment Webpage](https://www.waterboards.ca.gov/centralvalley/water_issues/tmdl/central_valley_projects/central_valley_pesticides/pyrethroid_tmdl_bpa/index.html) (https://www.waterboards.ca.gov/centralvalley/water_issues/tmdl/central_valley_projects/central_valley_pesticides/pyrethroid_tmdl_bpa/index.html).

Monitoring can either be conducted by the Discharger or can be done as part of a group monitoring effort. If the Discharger chooses to participate in a group monitoring effort, the timing and the other study requirements of the monitoring can be modified by the Executive Officer.

Table D-7. Pyrethroid Pesticides Monitoring

Parameter	CAS Number	Sample Units	Sample Type	Analytical Method	Reporting Level
Total Bifenthrin	82657-04-3	ng/L	Grab	See table D-7 requirements	1.3
Total Cyfluthrin	68359-37-5	ng/L	Grab	See table D-7 requirements	1.3
Total Cypermethrin	52315-07-8	ng/L	Grab	See table D-7 requirements	1.7

Parameter	CAS Number	Sample Units	Sample Type	Analytical Method	Reporting Level
Total Esfenvalerate	51630-58-1	ng/L	Grab	See table D-7 requirements	3.3
Total Lambda-cyhalothrin	91465-08-6	ng/L	Grab	See table D-7 requirements	1.2
Total Permethrin	52645-53-1	ng/L	Grab	See table D-7 requirements	10
Freely Dissolved Bifenthrin	82657-04-3	ng/L	Calculated	Calculated from total concentration	--
Freely Dissolved Cyfluthrin	68359-37-5	ng/L	Calculated	Calculated from total concentration	--
Freely Dissolved Cypermethrin	52315-07-8	ng/L	Calculated	Calculated from total concentration	--
Freely Dissolved Esfenvalerate	51630-58-1	ng/L	Calculated	Calculated from total concentration	--
Freely Dissolved Lambda-cyhalothrin	91465-08-6	ng/L	Calculated	Calculated from total concentration	--
Freely Dissolved Permethrin	52645-53-1	ng/L	Calculated	Calculated from total concentration	--
Dissolved Organic Carbon (DOC)	--	mg/L	Grab	--	--
Total Organic Carbon (TOC)	--	mg/L	Grab	--	--

2. Table D-7 Requirements:

- b. The Discharger shall use ELAP-accredited laboratories and methods validated by Central Valley Water Board staff for pyrethroid pesticides water column chemistry monitoring. A current list of ELAP-approved laboratories and points of contact can be found on the [Central Valley Water Board's Pyrethroid Pesticides TMDL and Basin Plan Amendment Webpage](https://www.waterboards.ca.gov/centralvalley/water_issues/tmdl/central_valley_projects/central_valley_pesticides/pyrethroid_tmdl_bpa/index.html):

(https://www.waterboards.ca.gov/centralvalley/water_issues/tmdl/central_valley_projects/central_valley_pesticides/pyrethroid_tmdl_bpa/index.html).

The freely dissolved concentration of each quantified pyrethroid pesticide in a sample may be directly measured or estimated using partition coefficients. Methods for direct measurement must be approved by the Executive Officer before they are used to determine the freely dissolved pyrethroid concentrations that are used for determining exceedances of the pyrethroid pesticides numeric triggers in Table 4-2 of the Basin Plan.

To estimate the freely dissolved concentration of a pyrethroid pesticide with partition coefficients, the following equation shall be used:

$$C_{dissolved} = \frac{C_{total}}{1 + (K_{OC} \times [POC]) + (K_{DOC} \times [DOC])}$$

Where:

$C_{dissolved}$ = concentration of an individual pyrethroid pesticide that is in the freely dissolved phase (ng/L),

C_{total} = total concentration of an individual pyrethroid pesticide in water (ng/L),

K_{OC} = organic carbon-water partition coefficient for the individual pyrethroid pesticide (L/kg),

[POC] = concentration of particulate organic carbon in the water sample (kg/L), which can be calculated as [POC]=[TOC]-[DOC],

[TOC] = total organic carbon in the sample (kg/L).

K_{DOC} = dissolved organic carbon-water partition coefficient (L/kg),

[DOC] = concentration of dissolved organic carbon in the sample (kg/L).

Site-specific or alternative study-based partition coefficients approved by the Executive Officer may be used for K_{OC} and K_{DOC} in the above equation. If site-specific or alternative study-based partition coefficients are not available or have not been approved, the following partition coefficients (Table D-8 below) shall be used for K_{OC} and K_{DOC} in the above equation:

Table D-8. Pyrethroid Pesticide Partition Coefficients

Pyrethroid Pesticide	Receiving water K_{OC} , (L/kg)	Receiving water K_{DOC} , (L/kg)	Effluent K_{OC} , (L/kg)	Effluent K_{DOC} , (L/kg)
Bifenthrin	4,228,000	1,737,127	15,848,932	800,000
Cyfluthrin	3,870,000	2,432,071	3,870,000	2,432,071
Cypermethrin	3,105,000	762,765	6,309,573	200,000
Esfenvalerate	7,220,000	1,733,158	7,220,000	1,733,158
Lambda-cyhalothrin	2,056,000	952,809	7,126,428	200,000
Permethrin	6,075,000	957,703	10,000,000	200,000

- Water Column Toxicity Monitoring Requirements.** The Discharger shall monitor the toxicity of the downstream receiving water using U.S. EPA method EPA-821-R-02-012 (*Methods for Measuring the Acute Toxicity of Effluents and Receiving Waters to Freshwater and Marine Organisms*, Fifth Edition, USEPA, October 2002, or most recent edition).

Except as specified in this NOA R5-2023-0025-008, water column toxicity testing shall follow the measurement quality objectives provided in the Surface Water Ambient Monitoring Program Quality Assurance Program Plan (SWRCB, 2018). When feasible, the Discharger shall use the Southern California Coastal Water Research Project (SCCWRP) guidance (Schiff and Greenstein, 2016) on test organism age and size for *Hyalella azteca*. Consistent with U.S. EPA Method EPA-821-R-02-012 and ELAP accreditation, *Hyalella azteca* water column toxicity testing for baseline monitoring shall be performed at 20 degrees Celsius.

When discharging to Dry Creek, **Water Column Toxicity Monitoring shall be conducted quarterly for one year between 1 April 2026 through 31 March 2027**, in the same quarter as the Effluent and Receiving Water Characterization Monitoring and the Pyrethroid Pesticides Water Column Chemistry Monitoring. Downstream receiving water monitoring shall be conducted at monitoring location RSW-002 when discharging to the receiving water and the results of such monitoring shall be submitted to the Central Valley Water Board with the quarterly self-monitoring reports. Monitoring can either be conducted by the Discharger or can be done as part of a group monitoring effort. If the Discharger chooses to participate in a group monitoring effort, the timing of the monitoring can be modified by the Executive Officer.

4. **Exceedance of Numeric Triggers.** If the Pyrethroid Pesticides Water Column Chemistry Monitoring identifies an exceedance of any pyrethroid pesticides numeric trigger, the Discharger shall notify the Central Valley Water Board in writing of the exceedance and the Discharger's intent to submit a Pyrethroid Management Plan. Monitoring results should be reviewed quarterly, and the Discharger shall notify the Central Valley Water Board of any exceedances of the Pyrethroid numeric triggers as soon as possible. The Pyrethroid Management Plan, as outlined in section VII.C.3.c of the 2023 Municipal General Order, shall be submitted to the Central Valley Water Board within one year from the date that an exceedance is identified by either the Discharger or Central Valley Water Board staff. Pyrethroid concentrations that exceed the acute and/or chronic pyrethroid numeric triggers, as outlined in Table 4-2 of the Basin Plan, constitute an exceedance of a numeric trigger. In the absence of a pyrethroid numeric trigger exceedance, observed toxicity in the water column does not constitute a violation of the pyrethroid conditional prohibition.

Identification of an exceedance provides the information that the Pyrethroid Pesticides Water Column Chemistry Monitoring was designed to collect, per Chapter V of the Basin Plan; therefore, once an exceedance is identified, the Discharger may cease conducting subsequent Pesticides Water Column Chemistry Monitoring.

G. Effluent and Receiving Water Characterization

The Discharger shall monitor the effluent at Monitoring Location EFF-001 and Dry Creek at Monitoring Location RSW-001 for the constituents listed in Table D-9, as described in this section.

1. Monitoring Frequency

- a. **Effluent Sampling.** Samples shall be collected from the effluent (Monitoring Location EFF-001) **quarterly between 1 April 2026 and 31 March 2027.**
- b. **Receiving Water Sampling.** A sample shall be collected from the upstream receiving water (Monitoring Location RSW-001) **once between 1 October 2026 and 31 December 2026 and once between 1 January 2027 and 31 March 2027.** The upstream receiving water samples shall be collected concurrent (on the same date and at approximately the same time) with the respective quarterly effluent sampling events required in the section above.

All sampling shall be analyzed for the constituents listed in Table D-9, below. The results of such monitoring shall be submitted to the Central Valley Water Board with the quarterly SMRs.

- 2. **Sample Type.** Effluent samples shall be taken as described in Table D-9, below and the testing requirements in section IX.F.4 below.
- 3. **Analytical Methods Report Certification.** Prior to beginning the Effluent Characterization monitoring, the Discharger shall provide a certification acknowledging the scheduled start date of the Effluent Characterization monitoring and confirming that samples will be collected and analyzed as described in the previously submitted Analytical Methods Report. If there are changes to the previously submitted Analytical Methods Report, the Discharger shall outline those changes. A one-page certification form will be provided by the Central Valley Water Board staff with this NOA R5-2023-0025-008 that the Discharger can use to satisfy this requirement. The certification form shall be submitted electronically via the State Water Board's California Integrated Water Quality System (CIWQS) in accordance with the reporting requirements in Technical Reports Table D-11.

Table D-9. Effluent and Receiving Water Characterization Monitoring

VOLATILE ORGANICS

CTR Number	Volatile Organic Parameters	CAS Number	Units	Effluent Sample Type
25	2-Chloroethyl vinyl Ether	110-75-8	µg/L	Grab
17	Acrolein	107-02-8	µg/L	Grab
18	Acrylonitrile	107-13-1	µg/L	Grab
19	Benzene	71-43-2	µg/L	Grab
20	Bromoform	75-25-2	µg/L	Grab
21	Carbon Tetrachloride	56-23-5	µg/L	Grab
22	Chlorobenzene	108-90-7	µg/L	Grab
24	Chloroethane	75-00-3	µg/L	Grab
26	Chloroform	67-66-3	µg/L	Grab
35	Methyl Chloride	74-87-3	µg/L	Grab
23	Dibromochloromethane	124-48-1	µg/L	Grab

CTR Number	Volatile Organic Parameters	CAS Number	Units	Effluent Sample Type
27	Dichlorobromomethane	75-27-4	µg/L	Grab
36	Methylene Chloride	75-09-2	µg/L	Grab
33	Ethylbenzene	100-41-4	µg/L	Grab
89	Hexachlorobutadiene	87-68-3	µg/L	Grab
34	Methyl Bromide (Bromomethane)	74-83-9	µg/L	Grab
94	Naphthalene	91-20-3	µg/L	Grab
38	Tetrachloroethylene (PCE)	127-18-4	µg/L	Grab
39	Toluene	108-88-3	µg/L	Grab
40	trans-1,2-Dichloroethylene	156-60-5	µg/L	Grab
43	Trichloroethylene (TCE)	79-01-6	µg/L	Grab
44	Vinyl Chloride	75-01-4	µg/L	Grab
NL	Methyl-tert-butyl ether (MTBE)	1634-04-4	µg/L	Grab
41	1,1,1-Trichloroethane	71-55-6	µg/L	Grab
42	1,1,2-Trichloroethane	79-00-5	µg/L	Grab
28	1,1-Dichloroethane	75-34-3	µg/L	Grab
30	1,1-Dichloroethylene (DCE)	75-35-4	µg/L	Grab
31	1,2-Dichloropropane	78-87-5	µg/L	Grab
32	1,3-Dichloropropylene	542-75-6	µg/L	Grab
37	1,1,2,2-Tetrachloroethane	79-34-5	µg/L	Grab
101	1,2,4-Trichlorobenzene	120-82-1	µg/L	Grab
29	1,2-Dichloroethane	107-06-2	µg/L	Grab
75	1,2-Dichlorobenzene	95-50-1	µg/L	Grab
76	1,3-Dichlorobenzene	541-73-1	µg/L	Grab
77	1,4-Dichlorobenzene	106-46-7	µg/L	Grab

SEMI-VOLATILE ORGANICS

CTR Number	Semi-Organic Volatile Parameters	CAS Number	Units	Effluent Sample Type
60	Benzo(a)Anthracene	56-55-3	µg/L	Grab
85	1,2-Diphenylhydrazine	122-66-7	µg/L	Grab
45	2-Chlorophenol	95-57-8	µg/L	Grab
46	2,4-Dichlorophenol	120-83-2	µg/L	Grab
47	2,4-Dimethylphenol	105-67-9	µg/L	Grab
49	2,4-Dinitrophenol	51-28-5	µg/L	Grab
82	2,4-Dinitrotoluene	121-14-2	µg/L	Grab
55	2,4,6-Trichlorophenol	88-06-2	µg/L	Grab
83	2,6-Dinitrotoluene	606-20-2	µg/L	Grab
50	2-Nitrophenol	88-75-5	µg/L	Grab
71	2-Chloronaphthalene	91-58-7	µg/L	Grab
78	3,3-Dichlorobenzidine	91-94-1	µg/L	Grab
62	Benzo(b)Fluoranthene	205-99-2	µg/L	Grab
52	4-Chloro-3-methylphenol	59-50-7	µg/L	Grab
48	2-Methyl-4,6-Dinitrophenol	534-52-1	µg/L	Grab

CTR Number	Semi-Organic Volatile Parameters	CAS Number	Units	Effluent Sample Type
51	4-Nitrophenol	100-02-7	µg/L	Grab
69	4-Bromophenyl Phenyl Ether	101-55-3	µg/L	Grab
72	4-Chlorophenyl Phenyl Ether	7005-72-3	µg/L	Grab
56	Acenaphthene	83-32-9	µg/L	Grab
57	Acenaphthylene	208-96-8	µg/L	Grab
58	Anthracene	120-12-7	µg/L	Grab
59	Benzidine	92-87-5	µg/L	Grab
61	Benzo(a)Pyrene	50-32-8	µg/L	Grab
63	Benzo(ghi)Perylene	191-24-2	µg/L	Grab
64	Benzo(k)Fluoranthene	207-08-9	µg/L	Grab
65	Bis (2-Chloroethoxy) Methane	111-91-1	µg/L	Grab
66	Bis (2-Chloroethyl) Ether	111-44-4	µg/L	Grab
67	Bis (2-Chloroisopropyl) Ether	108-60-1	µg/L	Grab
68	Bis(2-Ethylhexyl) Phthalate	117-81-7	µg/L	Grab
70	Butylbenzyl Phthalate	85-68-7	µg/L	Grab
73	Chrysene	218-01-9	µg/L	Grab
81	Di-n-butyl Phthalate	84-74-2	µg/L	Grab
84	Di-n-Octyl Phthalate	117-84-0	µg/L	Grab
74	Dibenzo(a,h)anthracene	53-70-3	µg/L	Grab
79	Diethyl Phthalate	84-66-2	µg/L	Grab
80	Dimethyl Phthalate	131-11-3	µg/L	Grab
86	Fluoranthene	206-44-0	µg/L	Grab
87	Fluorene	86-73-7	µg/L	Grab
88	Hexachlorobenzene	118-74-1	µg/L	Grab
90	Hexachlorocyclopentadiene	77-47-4	µg/L	Grab
91	Hexachloroethane	67-72-1	µg/L	Grab
92	Indeno(1,2,3-cd) Pyrene	193-39-5	µg/L	Grab
93	Isophorone	78-59-1	µg/L	Grab
98	N-Nitrosodiphenylamine	86-30-6	µg/L	Grab
96	N-Nitrosodimethylamine	62-75-9	µg/L	Grab
97	N-Nitrosodi-n-Propylamine	621-64-7	µg/L	Grab
95	Nitrobenzene	98-95-3	µg/L	Grab
53	Pentachlorophenol (PCP)	87-86-5	µg/L	Grab
99	Phenanthrene	85-01-8	µg/L	Grab
54	Phenol	108-95-2	µg/L	Grab
100	Pyrene	129-00-0	µg/L	Grab

INORGANICS

CTR Number	Inorganic Parameters	CAS Number	Units	Effluent Sample Type
NL	Aluminum	7429-90-5	µg/L	24-hour Composite
1	Antimony, Total	7440-36-0	µg/L	24-hour Composite
2	Arsenic, Total	7440-38-2	µg/L	24-hour Composite

CTR Number	Inorganic Parameters	CAS Number	Units	Effluent Sample Type
15	Asbestos	1332-21-4	µg/L	24-hour Composite
3	Beryllium, Total	7440-41-7	µg/L	24-hour Composite
4	Cadmium, Total	7440-43-9	µg/L	24-hour Composite
5a	Chromium, Total	7440-47-3	µg/L	24-hour Composite
6	Copper, Total	7440-50-8	µg/L	24-hour Composite
NL	Iron, Total	7439-89-6	µg/L	24-hour Composite
7	Lead, Total	7439-92-1	µg/L	24-hour Composite
8	Mercury, Total	7439-97-6	ng/L	Grab
NL	Manganese, Total	7439-96-5	µg/L	24-hour Composite
9	Nickel, Total	7440-02-0	µg/L	24-hour Composite
10	Selenium, Total	7782-49-2	µg/L	24-hour Composite
11	Silver, Total	7440-22-4	µg/L	24-hour Composite
12	Thallium, Total	7440-28-0	µg/L	24-hour Composite
13	Zinc, Total	7440-66-6	µg/L	24-hour Composite

NON-METALS/MINERALS

CTR Number	Non-Metal/Mineral Parameters	CAS Number	Units	Effluent Sample Type
NL	Boron	7440-42-8	µg/L	24-hour Composite
NL	Chloride	16887-00-6	mg/L	24-hour Composite
14	Cyanide, Total (as CN)	57-12-5	µg/L	Grab
NL	Sulfate	14808-79-8	mg/L	24-hour Composite
NL	Sulfide (as S)	5651-88-7	mg/L	24-hour Composite

PESTICIDES/PCBs/DIOXINS

CTR Number	Pesticide/PCB/Dioxin Parameters	CAS Number	Units	Effluent Sample Type
110	4,4-DDD	72-54-8	µg/L	24-hour Composite
109	4,4-DDE	72-55-9	µg/L	24-hour Composite
108	4,4-DDT	50-29-3	µg/L	24-hour Composite
112	alpha-Endosulfan	959-98-8	µg/L	24-hour Composite
103	alpha-BHC (Benzene hexachloride)	319-84-6	µg/L	24-hour Composite
102	Aldrin	309-00-2	µg/L	24-hour Composite
113	beta-Endosulfan	33213-65-9	µg/L	24-hour Composite
104	beta-BHC (Benzene hexachloride)	319-85-7	µg/L	24-hour Composite
107	Chlordane	57-74-9	µg/L	24-hour Composite
106	delta-BHC (Benzene hexachloride)	319-86-8	µg/L	24-hour Composite
111	Dieldrin	60-57-1	µg/L	24-hour Composite
114	Endosulfan Sulfate	1031-07-8	µg/L	24-hour Composite
115	Endrin	72-20-8	µg/L	24-hour Composite
116	Endrin Aldehyde	7421-93-4	µg/L	24-hour Composite
117	Heptachlor	76-44-8	µg/L	24-hour Composite

CTR Number	Pesticide/PCB/Dioxin Parameters	CAS Number	Units	Effluent Sample Type
118	Heptachlor Epoxide	1024-57-3	µg/L	24-hour Composite
105	gamma-BHC (Benzene hexachloride or Lindane)	58-89-9	µg/L	24-hour Composite
119	Polychlorinated Biphenyl (PCB) 1016	12674-11-2	µg/L	24-hour Composite
120	PCB 1221	11104-28-2	µg/L	24-hour Composite
121	PCB 1232	11141-16-5	µg/L	24-hour Composite
122	PCB 1242	53469-21-9	µg/L	24-hour Composite
123	PCB 1248	12672-29-6	µg/L	24-hour Composite
124	PCB 1254	11097-69-1	µg/L	24-hour Composite
125	PCB 1260	11096-82-5	µg/L	24-hour Composite
126	Toxaphene	8001-35-2	µg/L	24-hour Composite
16	2,3,7,8-TCDD (Dioxin)	1746-01-6	mg/L	24-hour Composite

CONVENTIONAL PARAMETERS

CTR Number	Conventional Parameters	CAS Number	Units	Effluent Sample Type
NL	pH	--	SU	Grab
NL	Temperature	--	°F	Grab

NON-CONVENTIONAL PARAMETERS

CTR Number	Nonconventional Parameters	CAS Number	Units	Effluent Sample Type
NL	Foaming Agents (MBAS)	MBAS	mg/L	24-hour Composite
NL	Hardness (as CaCO ₃)	471-34-1	mg/L	Grab
NL	Specific Conductance (Electrical Conductivity or EC)	EC	µmhos/cm	Grab
NL	Total Dissolved Solids (TDS)	TDS	mg/L	24-hour Composite
NL	Dissolved Organic Carbon (DOC)	DOC	mg/L	Grab

NUTRIENTS

CTR Number	Nutrient Parameters	CAS Number	Units	Effluent Sample Type
NL	Ammonia, Total (as N)	7664-41-7	mg/L	Grab
NL	Nitrate (as N)	14797-55-8	mg/L	Grab
NL	Nitrite (as N)	14797-65-0	mg/L	Grab
NL	Phosphorus, Total (as P)	7723-14-0	mg/L	24-hour Composite

4. **Table D-9 Testing Requirements.** The Discharger shall comply with the following testing requirements when monitoring for the parameters described in Table D-9:
 - a. **Applicable to all parameters.** Pollutants shall be analyzed using the analytical methods described in 40 C.F.R. Part 136 or by methods approved by the Central Valley Water Board or the State Water Board.

- b. **Grab Sample.** A grab sample is defined as an individual discrete sample collected over a period of time not exceeding 15 minutes. It can be taken manually, using a pump, scoop, vacuum, or other suitable device.
- c. **Composite Sample.** All composite samples shall be collected from a 24-hour flow proportional composite.
- d. **Redundant Sampling.** The Discharger is not required to conduct effluent monitoring for constituents that have already been sampled in a given month, as required in Table D-3, except for dissolved organic carbon, hardness, pH, and temperature, which shall be conducted concurrently with the characterization sampling.
- e. **Concurrent Sampling.** When effluent and receiving water samples are required during the same calendar quarter, effluent and receiving water sampling shall be conducted on the same date, at approximately the same time.
- f. **Bis (2-ethylhexyl) phthalate.** In order to verify if bis (2-ethylhexyl) phthalate is truly present in the effluent discharge, the Discharger shall take steps to assure that sample containers, sampling apparatus, and analytical equipment are not sources of the detected contaminant.
- g. **Total Mercury.** Samples for total mercury shall be taken using clean hands/dirty hands procedures, as described in U.S. EPA method 1669: Sampling Ambient Water for Trace Metals at EPA Water Quality Criteria Levels, for collection of equipment blanks (section 9.4.4.2), and shall be analyzed by U.S. EPA method 1630/1631 (Revision E) with a maximum reporting limit (RL) of 0.5 nanograms per liter (ng/L) for total mercury.

X. REPORTING REQUIREMENTS

A. General Monitoring and Reporting Requirements

1. The Discharger shall comply with all Standard Provisions (Attachment D of the Municipal General Order) related to monitoring, reporting, and recordkeeping. Upon written request of the Central Valley Water Board, the Discharger shall submit a summary monitoring report. The report shall contain both tabular and graphical summaries of the monitoring data obtained during the previous year(s)
2. The Discharger shall report to the Central Valley Water Board any toxic chemical release data it reports to the State Emergency Response Commission within 15 days of reporting the data to the Commission pursuant to section 313 of the "Emergency Planning and Community Right to Know Act" of 1986.
3. Monitoring frequencies may be adjusted by the Executive Officer to a less frequent basis if a Discharger makes a request and the request is backed by statistical trends of monitoring data submitted.

B. Self-Monitoring Reports

1. The Discharger shall electronically submit SMRs using the State Water Board's CIWQS [Program website](#)

(<https://www.waterboards.ca.gov/ciwqs/index.html>). The CIWQS Web site will provide additional information for SMR submittal in the event there will be a planned service interruption for electronic submittal.

2. The Discharger shall report in the SMR the results for all monitoring specified in this MRP under sections III through IX. The Discharger shall submit monthly SMRs including the results of all required monitoring using U.S. EPA-approved test methods or other test methods specified in this MRP. SMRs are to include all new monitoring results obtained since the last SMR was submitted. If the Discharger monitors any pollutant more frequently than required by this MRP, the results of this monitoring shall be included in the calculations and reporting of the data submitted in the SMR.
3. Monitoring periods and reporting for all required monitoring shall begin on **1 April 2025** and be completed according to the following Table D-10. All chronic toxicity test results shall be reported in the quarterly (1/Quarter) SMR as specified in this MRP under section E.

Table D-10. Monitoring Periods and Reporting Schedule

Sampling Frequency	Monitoring Period	SMR Due Date
Continuous	All	Submit with monthly SMR
1/Day	Midnight through 11:59 PM or any 24-hour period that reasonably represents a calendar day for purposes of sampling	Submit with monthly SMR
1/Week	Sunday through Saturday	Submit with monthly SMR
3/Week	Sunday through Saturday	Submit with monthly SMR
1/Month	1st day of calendar month through last day of calendar month	First day of second calendar month following month of sampling
1/Quarter and 1/Toxicity Calendar Quarter	1 January through 31 March; 1 April through 30 June; 1 July through 30 September; 1 October through 31 December	1 May; 1 August; 1 November; 1 February of following year (respectively)

4. **Reporting Protocols.** The Discharger shall report with each sample result the applicable RL and the current laboratory’s method detection limit (MDL), as determined by the procedure in 40 C.F.R. part 136.

The Discharger shall report the results of analytical determinations for the presence of chemical constituents in a sample using the following reporting protocols:

- a. Sample results greater than or equal to the RL shall be reported as measured by the laboratory (i.e., the measured chemical concentration in the sample).

- b. Sample results less than the RL, but greater than or equal to the laboratory's MDL, shall be reported as "Detected, but Not Quantified," or DNQ. The estimated chemical concentration of the sample shall also be reported.

For the purposes of data collection, the laboratory shall write the estimated chemical concentration next to DNQ. The laboratory may, if such information is available, include numerical estimates of the data quality for the reported result. Numerical estimates of data quality may be percent accuracy (\pm a percentage of the reported value), numerical ranges (low to high), or any other means considered appropriate by the laboratory.
 - c. Sample results less than the laboratory's MDL shall be reported as "Not Detected," or ND.
 - d. Dischargers are to instruct laboratories to establish calibration standards so that the ML value (or its equivalent if there is differential treatment of samples relative to calibration standards) is the lowest calibration standard. At no time is the Discharger to use analytical data derived from extrapolation beyond the lowest point of the calibration curve.
5. **Multiple Sample Data.** When determining compliance with an AMEL, AWEL, or maximum daily effluent limitation (MDEL) for priority pollutants and more than one sample result is available, the Discharger shall compute the arithmetic mean unless the data set contains one or more reported determinations of "Detected, but Not Quantified" (DNQ) or ND. In those cases, the Discharger shall compute the median in place of the arithmetic mean in accordance with the following procedure:
- a. The data set shall be ranked from low to high, ranking the reported ND determinations lowest, DNQ determinations next, followed by quantified values (if any). The order of the individual ND or DNQ determinations is unimportant.
 - b. The median value of the data set shall be determined. If the data set has an odd number of data points, then the median is the middle value. If the data set has an even number of data points, then the median is the average of the two values around the middle unless one or both of the points are ND or DNQ, in which case the median value shall be the lower of the two data points where DNQ is lower than a value and ND is lower than DNQ.
6. The Discharger shall submit SMRs in accordance with the following requirements:
- a. The Discharger shall arrange all reported data in a tabular format. The data shall be summarized to clearly illustrate whether the facility is operating in compliance with interim and/or final effluent limitations. The Discharger is not required to duplicate the submittal of data that is entered in a tabular format within CIWQS. When electronic submittal of data is required and CIWQS does not provide for entry into a tabular format within

the system, the Discharger shall electronically submit the data in a tabular format as an attachment.

- b. The Discharger shall attach a cover letter to the SMR. The information contained in the cover letter shall clearly identify violations of the waste discharge requirements; discuss corrective actions taken or planned; explain all unusual results, and/or events which affect interpretation of the results; and discuss the proposed time schedule for corrective actions. Identified violations must include a description of the requirement that was violated and a description of the violation. The cover letter must be uploaded directly into CIWQS and violations must be entered into CIWQS under the Violations tab for the reporting period in which the violation occurred in addition to them being identified in the cover letter.
 - c. The Discharger shall attach final laboratory reports for all contracted commercial laboratories, including quality assurance/quality control information, with all its SMRs for which sample analyses were performed. This requirement only applies to Effluent and Receiving Water Characterization monitoring per section IX.F of Appendix D. Bench sheets are not required but should be available upon request by Regional Board staff.
7. The Discharger shall submit in the SMRs calculations and reports in accordance with the following requirements.
- a. **Calendar Annual Average Limitations.** The Discharger shall report the calendar year annual average electrical conductivity in the December SMR. The annual average shall be calculated as the average of the samples gathered for the calendar year.
 - b. **Mass Loading Limitations. – Not Applicable**
 - c. **Removal Efficiency (BOD₅ and TSS).** The Discharger shall calculate and report the percent removal of BOD₅ and TSS in the SMRs. The percent removal shall be calculated as specified in section VIII.A of the Waste Discharge Requirements in the Municipal General Order.
 - d. **Total Coliform Organisms Effluent Limitations.** The Discharger shall calculate and report the 7-day median of total coliform organisms for the effluent. The 7-day median of total coliform organisms shall be calculated as specified in section VIII.F of the Waste Discharge Requirements in the Municipal General Order.
 - e. **Dissolved Oxygen Receiving Water Limitations.** The Discharger shall report monthly in the SMR the dissolved oxygen concentrations in mg/L in the effluent at Monitoring Location EFF-001 and receiving water at both Monitoring Locations RSW-001 and RSW-002.
 - f. **Turbidity Receiving Water Limitations.** The Discharger shall calculate and report the monthly difference in turbidity of the receiving water based on the difference in turbidity at Monitoring Locations RSW-001 and RSW-

002. A monthly averaging period may be used to calculate the monthly difference in turbidity.

- g. **Temperature Effluent Limitation. – Not Applicable**
- h. **Temperature Receiving Water Limitations.** The Discharger shall report the calendar year annual average temperature change in the receiving water between RSW-001 and RSW-002 in the December SMR. The annual average temperature change shall be calculated as the difference between the average of the weekly temperature samples gathered at Monitoring Locations RSW-001 and RSW-002 for the calendar year. If multiple temperature samples are collected on the same day, the Discharger shall also report the daily average and daily maximum temperature of the receiving water at Monitoring Location RSW-002 in the Monthly SMR. The daily average and daily maximum temperature shall be calculated using the temperature samples gathered at Monitoring Location RSW-002 on any given day.
- i. **Chlorpyrifos and Diazinon Effluent Limitations. – Not Applicable**
- j. **Total Calendar Annual Mass Loading Mercury Effluent Limitations. – Not Applicable**
- k. **Amador Lake Percent Effluent (Compliance with the 20:1 Dilution Ratio). – Not Applicable**

C. Discharge Monitoring Reports (DMRs)

1. The Discharger shall electronically submit DMRs together with SMRs using Electronic Self-Monitoring Reports module eSMR 2.5 or any upgraded version. Electronic submittal of DMRs will be in addition to electronic submittal of SMRs. Information about electronic submittal of DMRs is provided by the [Discharge Monitoring Report website](https://www.waterboards.ca.gov/water_issues/programs/discharge_monitoring/) (https://www.waterboards.ca.gov/water_issues/programs/discharge_monitoring/).

D. Other Reports

1. **Special Study Reports – Not Applicable**
2. Each Discharger shall report the results of any special studies, PMP, and Pollution Prevention Plan required by Special Provisions, section VIII.C of this NOA R5-2023-0025-008. Unless otherwise specified in this NOA R5-2023-0025-008, the Discharger shall submit reports with the first monthly SMR scheduled to be submitted on or immediately following the report due date.
3. **Analytical Methods Report.** The Discharger shall complete and submit an Analytical Methods Report, electronically via CIWQS submittal, by the due date specified in Table D-11 below. The Analytical Methods Report shall include the following for each constituent listed in tables D-3, D-4, D-7, and D-9 of this NOA R5-2023-0025-008: 1) applicable water quality objective, 2) reporting level (RL), 3) method detection limit (MDL), and 4) analytical method. The analytical methods shall be sufficiently sensitive with RLs consistent with the SSM Rule (see also General Monitoring Provision F in the

MRP, Attachment E of the Municipal General Order), and with the Minimum Levels (MLs) in the SIP, Appendix 4. The “Reporting Level or RL” is synonymous with the “Method Minimum Level” described in the SSM Rule. If an RL is greater than the applicable water quality objective for a constituent, the Discharger shall explain how the proposed analytical method complies with the SSM Rule. Central Valley Water Board staff will provide a tool with this NOA R5-2023-0025-008 to assist the Discharger in completing this requirement. The tool will include the constituents and associated applicable water quality objectives to be included in the Analytical Methods Report.

4. **Annual Operations Report.** The Discharger shall submit, by the due dates shown in the Technical Reports Table D-11, a written Annual Operations Report containing the following:
 - a. The names, certificate grades, and general responsibilities of all persons employed at the Facility.
 - b. The names and telephone numbers of persons to contact regarding the plant for emergency and routine situations.
 - c. A statement certifying when the flow meter(s) and other monitoring instruments and devices were last calibrated, including identification of who performed the calibration.
 - d. A statement certifying whether the current operation and maintenance manual, and contingency plan, reflect the wastewater treatment plant as currently constructed and operated, and the dates when these documents were last revised and last reviewed for adequacy.
 - e. The Discharger may also be requested to submit an annual report to the Central Valley Water Board with both tabular and graphical summaries of the monitoring data obtained during the previous year. Any such request shall be made in writing. The report shall discuss the compliance record. If violations have occurred, the report shall also discuss the corrective actions taken and planned to bring the discharge into full compliance with the waste discharge requirements.

5. **Annual Pretreatment Reporting Requirements.** The Discharger shall submit annually a report to the Central Valley Water Board, with copies to U.S. EPA Region 9 and the State Water Board (submittal requirements follow this section), describing the Discharger's pretreatment activities over the previous 12 months (1 January through 31 December). In the event that the Discharger is not in compliance with any pretreatment conditions or requirements of the Municipal General Order and this NOA R5-2023-0025-008, including noncompliance with pretreatment audit/compliance inspection requirements, then the Discharger shall also include the reasons for noncompliance and state how and when the Discharger shall comply with such conditions and requirements.

The annual reports shall be submitted by the due dates shown in the Technical Reports Table D-11 and include at least the following items:

- a. A summary of analytical results from representative sampling of the POTWs influent and effluent for those pollutants U.S. EPA has identified

under section 307(a) of the Clean Water Act which are known or suspected to be discharged by nondomestic users. This will consist of an annual full priority pollutant scan. The Discharger is not required to sample and analyze for asbestos. The Discharger shall submit the results of the priority pollutant scan electronically to the Central Valley Water Board using the State Water Board's CIWQS Program Website. Influent and effluent sample types may be 24-hour composites or otherwise consistent with sample types listed in Table D-9.

Sludge shall be sampled during the same 24-hour period and analyzed for the same pollutants as the influent and effluent sampling and analysis. The sludge analyzed shall be a composite sample of a minimum of 12 discrete samples taken at equal time intervals during operational hours. Wastewater and sludge sampling and analysis shall be performed as specified in this NOA R5-2023-0025-008. The Discharger shall also provide any influent, effluent, or sludge monitoring data for other constituents of concern which may be causing or contributing to Interference, Pass-Through or adversely impacting sludge quality. Sampling and analysis shall be performed in accordance with the techniques prescribed in 40 C.F.R. part 136 and amendments thereto.

- b. A discussion of Upset, Interference, or Pass-Through incidents, if any, at the treatment plant, which the Discharger knows or suspects were caused by nondomestic users of the POTW. The discussion shall include the reasons why the incidents occurred, the corrective actions taken and, if known, the name and address of, the nondomestic user(s) responsible. The discussion shall also include a review of the applicable pollutant limitations to determine whether any additional limitations, or changes to existing requirements, may be necessary to prevent Pass-Through, Interference, or noncompliance with sludge disposal requirements.
- c. The cumulative number of nondomestic users that the Discharger has notified regarding Baseline Monitoring Reports and the cumulative number of nondomestic user responses.
- d. An updated list of the Discharger's significant industrial users (SIUs) including their names and addresses, or a list of deletions, additions and SIU name changes keyed to a previously submitted list. The Discharger shall provide a brief explanation for each change. The list shall identify the SIUs subject to federal categorical standards by specifying which set(s) of standards are applicable to each SIU. The list shall indicate which SIUs, or specific pollutants from each industry, are subject to local limitations. Local limitations that are more stringent than the federal categorical standards shall also be identified.
- e. The Discharger shall characterize the compliance status through the year of record of each SIU by employing the following descriptions:
 - i. complied with baseline monitoring report requirements (where applicable);
 - ii. consistently achieved compliance;

- iii. inconsistently achieved compliance;
 - iv. significantly violated applicable pretreatment requirements as defined by 40 C.F.R. section 403.8(f)(2)(vii);
 - v. complied with schedule to achieve compliance (include the date final compliance is required);
 - vi. did not achieve compliance and not on a compliance schedule; and
 - vii. compliance status unknown.
- f. A summary of the inspection and sampling activities conducted by the Discharger during the past year to gather information and data regarding the SIUs. The summary shall include:
- i. The names and addresses of the SIUs subjected to surveillance and an explanation of whether they were inspected, sampled, or both and the frequency of these activities at each user; and
 - ii. The conclusions or results from the inspection or sampling of each industrial user.
- g. The Discharger shall characterize the compliance status of each SIU by providing a list or table which includes the following information:
- i. Name of SIU;
 - ii. Category, if subject to federal categorical standards;
 - iii. The type of wastewater treatment or control processes in place;
 - iv. The number of samples taken by the POTW during the year;
 - v. The number of samples taken by the SIU during the year;
 - vi. For a SIU subject to discharge requirements for total toxic organics, whether all required certifications were provided;
 - vii. A list of the standards violated during the year. Identify whether the violations were for categorical standards or local limits;
 - viii. Whether the facility is in significant noncompliance (SNC) as defined at 40 C.F.R. section 403.8(f)(2)(viii) at any time during the year;
 - ix. A summary of enforcement or other actions taken during the year to return the SIU to compliance. Describe the type of action (e.g., warning letters or notices of violation, administrative orders, civil actions, and criminal actions), final compliance date, and the amount of fines and penalties collected, if any. Describe any proposed actions for bringing the SIU into compliance;
 - x. Restriction of flow to the POTW; and
 - xi. Disconnection from discharge to the POTW.
- h. A brief description of any programs the POTW implements to reduce pollutants from nondomestic users that are not classified as SIUs;
- i. A brief description of any significant changes in operating the pretreatment program which differ from the previous year including, but not limited to, changes concerning: the program's administrative structure, local limits,

monitoring program or monitoring frequencies, legal authority, enforcement policy, funding levels, or staffing levels;

- j. A summary of the annual pretreatment budget, including the cost of pretreatment program functions and equipment purchases; and
 - k. A summary of activities to involve and inform the public of the program including a copy of the newspaper notice, if any, required under 40 C.F.R. section 403.8(f)(2)(viii).
 - l. Pretreatment Program reports shall be submitted as follows:
 - i. Electronically to the Central Valley Water Board using the CIWQS system or emailed as a PDF file to: RB5S-NPDES-Comments@waterboards.ca.gov; and
 - ii. Emailed to the State Water Board as a PDF file to: NPDES_Wastewater@waterboards.ca.gov; and
 - iii. Emailed to the U.S. EPA to: R9Pretreatment@epa.gov.
6. **Recycled Water Policy Annual Reports.** In accordance with section 3 of the Water Quality Control Policy for Recycled Water (Recycled Water Policy) and as specified in this NOA R5-2023-0025-008, the Discharger shall electronically submit an annual report of monthly data to the State Water Board by 30 April each year covering the previous calendar year. The report shall be submitted using the State Water Board's [GeoTracker website](https://geotracker.waterboards.ca.gov/) (<https://geotracker.waterboards.ca.gov/>). Information for setting up and using the GeoTracker system can be found in the ESI Guide for Responsible Parties document on the State Water Board's website for [Electronic Submittal of Information](#) (https://www.waterboards.ca.gov/ust/electronic_submittal/index.html).

The annual report must include volumetric reporting of the items listed in section 3.2 of the [Recycled Water Policy](#) (https://www.waterboards.ca.gov/board_decisions/adopted_orders/resolutions/2018/121118_7_final_amendment_oal.pdf). A PDF of the upload confirmation from GeoTracker for the Recycled Water Policy Annual Report shall be uploaded into CIWQS to demonstrate compliance with this reporting requirement.

7. **Technical Report Submittals.** The Municipal General Order, as specified in this NOA R5-2023-0025-008, includes requirements to submit various reports and documents that may include a Notice of Intent, special study technical reports, progress reports, and other reports identified in the MRP (hereafter referred to collectively as "technical reports"). Table D-11 below summarizes the technical reports that are applicable to this discharge and required by this NOA R5-2023-0025-008, and the due dates for each submittal. All technical reports shall be submitted electronically via CIWQS submittal. Technical reports should be uploaded as a PDF, Microsoft Word, or Microsoft Excel file attachment.

Table D-11. Technical Reports

Report #	Technical Report	Due Date	CIWQS Report Name
1	Notice of Intent	31 March 2029	NOI
2	Analytical Methods Report	1 July 2025	MRP X.D.3
3	Analytical Methods Report Certification	1 January 2026	MRP IX.F.3
4	Annual Operations Report #1	1 February 2026	MRP X.D.4
5	Annual Operations Report #2	1 February 2027	MRP X.D.4
6	Annual Operations Report #3	1 February 2028	MRP X.D.4
7	Annual Operations Report #4	1 February 2029	MRP X.D.4
8	Annual Operations Report #5	1 February 2030	MRP X.D.4
9	Annual Pretreatment Report #1	28 February 2026	MRP X.D.5
10	Annual Pretreatment Report #2	28 February 2027	MRP X.D.5
11	Annual Pretreatment Report #3	28 February 2028	MRP X.D.5
12	Annual Pretreatment Report #4	28 February 2029	MRP X.D.5
13	Annual Pretreatment Report #5	28 February 2030	MRP X.D.5
14	Recycled Water Policy Annual Report Upload Confirmation Form #1	30 April 2026	MRP X.D.6
15	Recycled Water Policy Annual Report Upload Confirmation Form #2	30 April 2027	MRP X.D.6
16	Recycled Water Policy Annual Report Upload Confirmation Form #3	30 April 2028	MRP X.D.6
17	Recycled Water Policy Annual Report Upload Confirmation Form #4	30 April 2029	MRP X.D.6
18	Recycled Water Policy Annual Report Upload Confirmation Form #5	30 April 2030	MRP X.D.6

Report #	Technical Report	Due Date	CIWQS Report Name
19	Draft Pyrethroid Management Plan (if required)	Due one year from the date of exceedance of pyrethroid trigger	MGO WDR VII.C.3.c
20	Pyrethroid Management Plan Mid-Term Progress Report (if required)	Due six months from the date of approval of the Draft Pyrethroid Management Plan	MGO WDR VII.C.3.c
21	Pyrethroid Management Plan End-Term Progress Report (if required)	Due one year from the date of approval of the Draft Pyrethroid Management Plan	MGO WDR VII.C.3.c

APPENDIX E – DETERMINATION OF WATER QUALITY-BASED EFFLUENT LIMITATIONS (WQBELS)

The Central Valley Water Board determined water quality-based effluent limitations (WQBELS) using the effluent limits tables included in section V of the Municipal General Order and as described in the Fact Sheet, Attachment F of the Municipal General Order. For parameters with both human health and aquatic life objectives/criteria, the final effluent limitations in this NOA R5-2023-0025-008 are based on the lower of the effluent limitations based on the aquatic life objectives/criteria and human health objectives/criteria.

Abbreviations and Notes:

1. CV = Coefficient of Variation (established in accordance with section 1.4 of the SIP)
2. AMEL = Average Monthly Effluent Limitation
3. AWEL = Average Weekly Effluent Limitation
4. MDEL = Maximum Daily Effluent Limitation
5. CMC = Criterion Maximum Concentration
6. CCC = Criterion Continuous Concentration
7. Coefficient of Variation (CV) calculated using effluent sample data for the parameter listed.
8. The Effluent Limit Table was used as indicated below and contained in section V, Effluent Limitations and Discharge Specifications, of the Municipal General Order. The specific tables from the Municipal General Order used to determine the appropriate AMEL, AWEL, or MDEL are indicated in the tables below:

Table E-1. Human Health WQBELS Calculations

Parameter	Units	Criteria	CV	Effluent Limit Table in Municipal General Order	AMEL	AWEL
Nitrate Plus Nitrite (as N)	mg/L	10	0.23	20B	10	13

Table E-2. Aquatic Life WQBELS Calculations

Parameter	Units	CMC	CCC	CV	Effluent Limit Table in Municipal General Order	AMEL	AWEL
Ammonia, Total (as N)	mg/L	8.11	3.30	0.6	18G	3.1	6.9