

**State of California  
CALIFORNIA REGIONAL WATER QUALITY CONTROL BOARD  
LOS ANGELES REGION**

**ORDER NO. R4-2009-0074-AXXX**

**REVISING WASTE DISCHARGE REQUIREMENTS  
FOR**

**(SANTA CLARITA VALLEY SANITATION DISTRICT OF LOS ANGELES COUNTY)  
VALENCIA WATER RECLAMATION PLANT  
ORDER NO. R4-2009-0074 (NPDES NO. CA0054216)**

The California Regional Water Quality Control Board, Los Angeles Region (Regional Water Board), finds:

1. The following publicly-owned treatment works (POTWs) discharge treated effluent under waste discharge requirements (WDRs) and National Pollutant Discharge Elimination System (NPDES) permit:

<b>POTW (NPDES No.)</b>	<b>Discharge Location (Receiving Water)</b>	<b>Type of Waste (Flow)</b>	<b>Order No. (Adoption Date)</b>
Santa Clarita Valley Sanitation District of Los Angeles County	28185 The Old Road Santa Clarita, CA	Tertiary-treated municipal wastewater	Order No. R4-2009-0074
- Valencia Water Reclamation Plant (CA0054216)	(Santa Clara River)	(21.6 million gallons per day)	(June 4, 2009)

2. Santa Clarita Valley Sanitation District of Los Angeles County (Discharger or SCVSD), formerly referred to as Los Angeles County Sanitation District, discharges treated wastewater pursuant to Order No. R4-2009-00074, adopted on June 4, 2009, by the Regional Water Board from the Valencia Water Reclamation Plant (WRP).
3. On January 9, 2002, SCVSD and Newhall Land and Farming Company entered into an *Interconnection Agreement* so that the sewage generated by the first 6,000 dwelling units of Newhall Ranch ~~would~~could be temporarily treated at the Valencia WRP, until such time as a Newhall Ranch WRP is constructed.
4. This interim wastewater treatment scenario is described in further detail in a separate Regional Water Board Order No. R4-2012-0139, Clean Water Act Section 401 Water Quality Certification and Waste Discharge Requirements (WDRs) for Newhall Land and Farming Company (File No. 11-168), adopted by the Regional Water Board on September 14, 2012. Order No. R4-2012-0139 requires that: "For purposes of further treating wastewater (to a chloride level of 100 mg/l or less for up to 6000 equivalent dwelling units) from Newhall Ranch that will be sent to the Valencia WRP, Newhall Land, or its successor, shall complete construction of interim chloride and demineralization facilities to the satisfaction of the Regional Board prior to discharging sewage from Newhall Land to the Valencia WRP or other publicly owned treatment works. The interim chloride and demineralization facilities shall be sufficient to ensure that any wastewater discharge attributable to Newhall Ranch does not result in

**REVISI  
D  
T  
E  
N  
T  
A  
T  
I  
V  
E**

discharge to the Santa Clara River of effluent containing chloride in concentrations exceeding 100 mg/L. If sewage from Newhall Land does not already meet the chloride limit of 100 mg/L, an equivalent volume of effluent shall be removed from the combined Newhall/Valencia partially treated waste stream and shall be treated at the interim chloride and demineralization facility to meet 100 mg/L chloride prior to discharge.”

5. ~~SCVSD and Newhall Land have agreed that~~ Newhall Land will construct an Interim Demineralization Facility located adjacent to the Valencia WRP, as required by Regional Water Board Order No. R4-2012-0139. ~~and that~~ SCVSD will accept the ~~treated~~ permeate (high quality product water) from the Interim Demineralization Facility.;
6. Although Order No. R4-2009-0074, does not expire until May 10, 2014, this Order revises Order No. R4-2009-0074 to update the findings to include a description of Valencia WRP’s involvement with Newhall Land’s Interim Demineralization Facility. The expiration date and all other provisions of Order No. R4-2009-0074 remain the same.
7. Under California Water Code (CWC) section 13389, the revision to ~~Order No. R4-2009-0074~~ is exempt from the provisions of the California Environmental Quality Act (CEQA), Public Resources Code Sections 21100 through 21177.

The Regional Water Board notified the Discharger and interested agencies and persons of its intent to adopt the amended WDRs.

The Regional Water Board, in a public hearing, heard and considered all testimony pertinent to this matter. All Orders referred to above, Regional Water Board files on this matter, and records of hearings and testimony therein are included in the administrative record for this matter.

**IT IS HEREBY ORDERED** that Order No. R4-2009-0074, adopted by this Regional Water Board on June 4, 2009, is hereby revised as follows (additions are underlined, deletions are lined through):

1. The following language will be added to the end of finding B in section II (page 7) of Order No. R4-2009-0074 and section II of the Fact Sheet (page F-4):

On January 9, 2002, SCVSD and Newhall Land and Farming Company (Newhall Land) entered into an *Interconnection Agreement* so that the sewage generated by the first 6,000 dwelling units of Newhall Ranch ~~would~~could be temporarily treated at the Valencia WRP, until such time as the Newhall Ranch WRP is constructed. The *Interconnection Agreement* specifies that Newhall Land will design, fund, and construct all sewers, pumping plants, or force mains required to convey any flow generated within Newhall Ranch to the new county sanitation district that will be treated at the Valencia WRP.

This interim wastewater treatment scenario is described in further detail in a separate Regional Water Board Order No. R4-2012-0139, *Clean Water Act Section 401 Water Quality Certification and Waste Discharge Requirements (WDRs) for*

R  
E  
V  
I  
S  
E  
D  
  
T  
E  
N  
T  
A  
T  
I  
V  
E

*Newhall Land and Farming Company* (File No. 11-168), adopted by the Regional Water Board on September 14, 2012. Order No. R4-2012-0139 requires that: "For purposes of further treating wastewater (to a chloride level of 100 mg/l or less for up to 6000 equivalent dwelling units) from Newhall Ranch that will be sent to the Valencia WRP, Newhall Land, or its successor, shall complete construction of interim chloride and demineralization facilities to the satisfaction of the Regional Board prior to discharging sewage from Newhall Land to the Valencia WRP or other publicly owned treatment works. The interim chloride and demineralization facilities shall be sufficient to ensure that any wastewater discharge attributable to Newhall Ranch does not result in discharge to the Santa Clara River of effluent containing chloride in concentrations exceeding 100 mg/L. If sewage from Newhall Land does not already meet the chloride limit of 100 mg/L, an equivalent volume of effluent shall be removed from the combined Newhall/Valencia partially treated waste stream and shall be treated at the interim chloride and demineralization facility to meet 100 mg/L chloride prior to discharge."

Newhall Land will obtain the necessary permits, design, fund, and construct the following:

- i. All sewers, pumping plants, and force mains required to convey any flow generated from Newhall Ranch to be treated at the Valencia WRP;
- ~~i.ii.~~ An Interim Demineralization Facility;
- ~~ii.iii.~~ Any necessary pipelines to convey ~~the treated~~ permeate from the Interim Demineralization Facility ~~back~~ to the Valencia WRP; and,
- ~~iii.iv.~~ Any necessary pipelines to convey the brine waste stream from Interim Demineralization Facility to the deep-well injection system which will be permitted under a separate USEPA-issued Class I Non-hazardous Underground Injection Control (UIC) permit.

SCVSD will accept the treated permeate from the Interim Demineralization Facility.

The **Attachment C** shows a flow schematic of the Valencia WRP.

2. The Expiration date, and all other Limitations, Requirements, and Provisions of Order No. R4-2009-0074 are unchanged and shall remain in full force and effect.

**IT IS SO ORDERED.**

I, Sam Unger, Executive Officer, do hereby certify that the foregoing is a full, true and correct copy of an order adopted by the California Regional Water Quality Control Board, Los Angeles Region, on December 5, 2013.

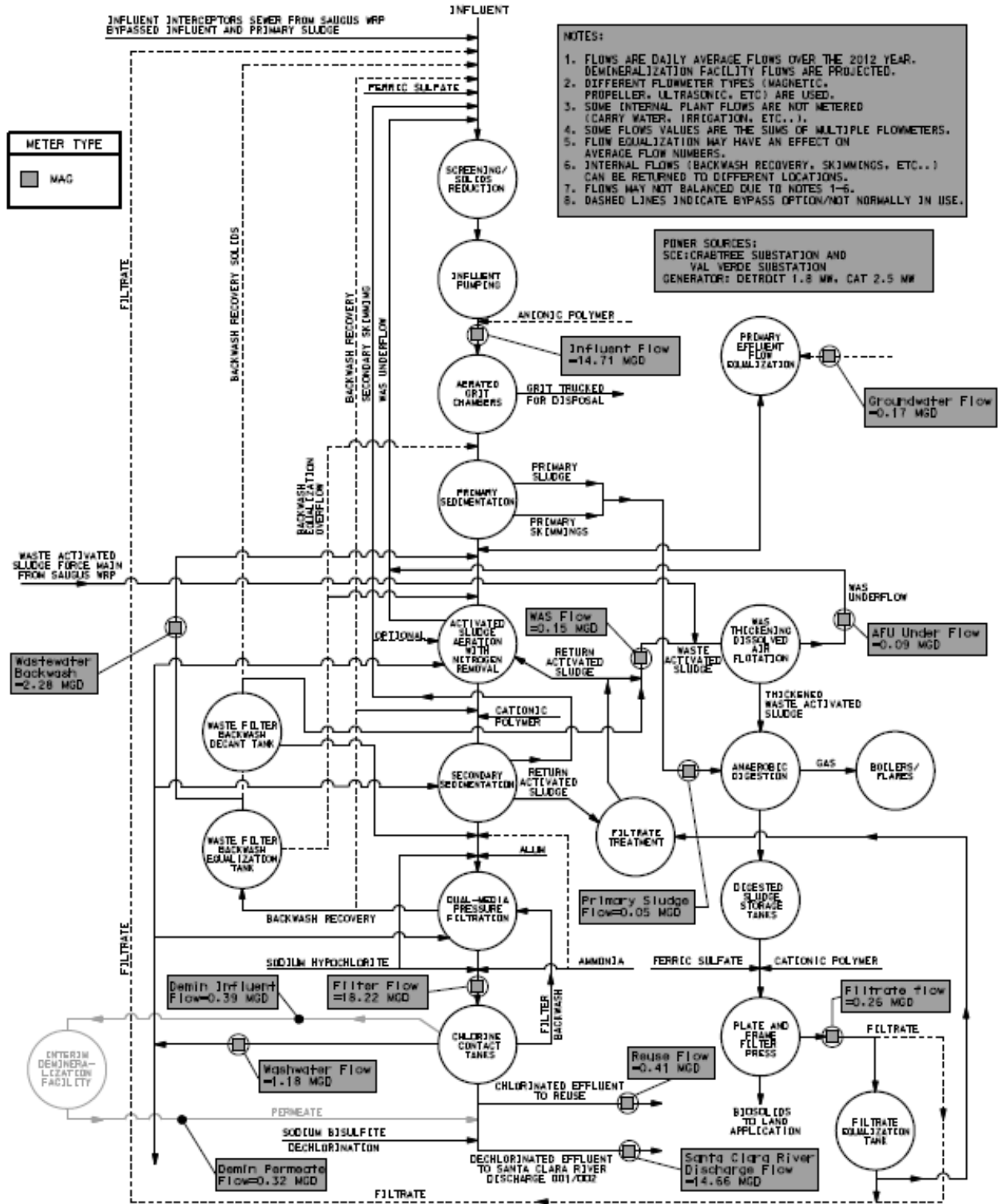
---

Samuel Unger, P.E.  
Executive Officer

**REVISED**

**TENTATIVE**

VALENCIA WATER RECLAMATION PLANT  
PROCESS SCHEMATIC



R:\OPERATIONS\OTHER\PROCESS SCHEMATICS\VALENCIA 2013 OPTON A.DGN

REVISIONS TENTATIVE