



Los Angeles Regional Water Quality Control Board

July 15, 2016

**CERTIFIED MAIL No. 7013 1090 0000 7172 6246  
RETURN RECEIPT REQUESTED**

Mr. Cris Liban  
Los Angeles County Metropolitan Transportation Authority  
One Gateway Plaza  
Los Angeles, CA 90012

Dear Mr. Liban:

**COVERAGE UNDER GENERAL NATIONAL POLLUTANT DISCHARGE ELIMINATION SYSTEM AND WASTE DISCHARGE REQUIREMENTS—LOS ANGELES COUNTY METROPOLITAN TRANSPORTATION AUTHORITY, SUBWAY EXTENSION SECTION 1 C 1045 PROJECT WILSHIRE STATIONS, 3813, 5150, & 8350 WILSHIRE BLVD., LOS ANGELES AND BEVERLY HILLS, CALIFORNIA (NPDES NO. CAG994004, CI-10245)**

We have completed our review of your application for a permit to discharge waste under the National Pollutant Discharge Elimination System (NPDES).

Based on the attached Fact Sheet and other information provided, we have determined that the groundwater discharge meets the conditions to be regulated under Order No. R4-2013-0095, *General National Pollutant Discharge Elimination System and Waste Discharge Requirements for Discharges of Groundwater from Construction and Project Dewatering to Surface Waters in Coastal Watersheds of Los Angeles and Ventura Counties*, adopted by this Board on June 6, 2013.

Enclosed are your Waste Discharge Requirements, which also serve as your NPDES permit, consisting of Order No. R4-2013-0095 and Monitoring and Reporting Program No. CI-10245. The discharge limitations in Part V.A.1.a. Tables 1 and 9 of the Order No. R4-2013-0095 for the specific constituents listed on the Table 1 in the enclosed Fact Sheet are applicable to your discharge. The treated groundwater discharge flows into Ballona Creek. Therefore, the mineral limitations in Attachment B of Order No. R4-2013-0095 are not applicable to your discharge. All other parts of the Order apply, including but not limited to narrative effluent and receiving water limitations. Prior to starting discharge, a representative sample of the effluent shall be obtained and analyzed to determine compliance with the discharge limitations.

The Monitoring and Reporting Program requires you to implement the monitoring program on the effective date of coverage under this permit. All monitoring reports should be sent to the Regional Board, electronically by email to [losangeles@waterboards.ca.gov](mailto:losangeles@waterboards.ca.gov). When submitting monitoring or technical reports to the Regional Board per these requirements, please include a reference to "Compliance File No. CI-10245 and NPDES No. CAG994004", which will assure that the reports are directed to the appropriate file and staff. Also, please do not combine other reports with your monitoring reports. Submit each type of report as a separate document.

The Regional Board is implementing a paperless office system to reduce paper use, increase efficiency and provide a more effective way for our staff, the public and interested parties to view water quality documents. Therefore, please convert all regulatory documents, submissions, data and correspondence that you would normally submit to us as hard copies to a searchable Portable Document Format (PDF). Documents that are less than 10 MB should be emailed to [losangeles@waterboards.ca.gov](mailto:losangeles@waterboards.ca.gov). Documents that are 10 MB or larger should be transferred to a disk and mailed to the address listed above. If you need additional information regarding electronic submittal of documents please visit the Regional Board's website listed above and navigate to Paperless Office.

To avoid future annual fees, please submit written request for termination of your enrollment under the general permit in a separate letter, when the project has been completed and the permit is no longer needed.

We are sending a copy of Order No. R4-2013-0095 only to the applicant. For those on the mailing list, please refer to the Board Order previously sent to you. A copy of the Order will be furnished to anyone who requests it, or it can be obtained at our web site address: [http://www.waterboards.ca.gov/losangeles/board\\_decisions/adopted\\_orders/](http://www.waterboards.ca.gov/losangeles/board_decisions/adopted_orders/).

If you have any questions, please contact Gensen Kai at (213) 576-6651.

Sincerely,



Samuel Unger, P.E.  
Executive Officer

Enclosures:

Order No. R4-2013-0095, General NPDES Permit No. CAG994004  
Fact Sheet  
Monitoring and Reporting Program for No. CI-10245

cc: Environmental Protection Agency, Region 9, Permit Section (WTR-5)  
State Water Resources Control Board, [npdes\\_wastewater@waterboards.ca.gov](mailto:npdes_wastewater@waterboards.ca.gov)  
U.S. Army Corps of Engineers  
U.S. Fish and Wildlife Services, Division of Ecological Services  
NOAA, National Marine Fisheries Service  
California Department of Fish and Wildlife  
State Water Resources Control Board, Drinking Water Division  
Los Angeles County, Department of Public Works, Environmental Programs Division  
Los Angeles County, Department of Health Services  
City Manager, City of Los Angeles  
City Manager, City of Beverly Hills  
Jae Kim, Tetra Tech

STATE OF CALIFORNIA  
CALIFORNIA REGIONAL WATER QUALITY CONTROL BOARD  
LOS ANGELES REGION  
320 West 4<sup>th</sup> Street, Suite 200, Los Angeles, California 90013

**FACT SHEET  
WASTE DISCHARGE REQUIREMENTS  
FOR  
LOS ANGELES COUNTY METROPOLITAN TRANSPORTATION AUTHORITY  
(SUBWAY EXTENSION SECTION 1 C 1045 PROJECT WILSHIRE STATIONS)**

**NPDES NO. CAG994004  
CI-10245**

**FACILITY ADDRESS**

3813, 5150, & 8350 Wilshire Blvd.  
Los Angeles, California

**FACILITY MAILING ADDRESS**

One Gateway Plaza  
Los Angeles, CA 90012

**PROJECT DESCRIPTION:**

Los Angeles County Metropolitan Transportation Authority (Discharger) is constructing the Subway Extension Section 1 C 1045 Project from Western Station to La Brea Station and La Cienega Station. The project sites are located at 3813, 5150, and 8350 Wilshire Blvd., Los Angeles (See Figure 1 for site locations). The Subway Extension Section 1 C 1045 Project will extend the existing Purple Line by 3.9 miles westerly beneath Wilshire Boulevard. Underground stations and off-street portals will be located at the intersections of Wilshire Blvd. / Western Ave., Wilshire Blvd. / La Brea Ave., and Wilshire Blvd. / La Cienega Ave. It is anticipated that the excavation for the facilities will extend below groundwater table. It will be necessary to remove groundwater during the excavation. Groundwater extracted from the sites will be passed through activated carbon vessels to remove organic contaminants and ion exchange resin vessels to remove heavy metals prior to discharge. Figure 2 shows the schematic of the treatment process. The Discharger proposes to discharge the groundwater into the nearby stormwater drains.

The authorization to discharge under the general NPDES permit will be effective for the duration of the construction project. If dewatering is necessary after construction project the Discharger must submit a new Notice of Intent Form (NOI) to the Regional Board for continuing enrollment under the general NPDES permit for dewatering discharges at the facility.

**VOLUME AND DESCRIPTION OF DISCHARGE:**

The Discharger proposes to discharge up to 1 million gallons per day of groundwater to storm drains located at Discharge Point M-001 (Latitude: 34° 03' 43", Longitude: 118° 18' 37"), Discharge Point M-002 (Latitude: 34° 03' 44", Longitude: 118° 20' 42"), and Discharge Point M-003 (Latitude: 34° 03' 56", Longitude: 118° 22' 34"). Discharges from these Discharge Points flow into Ballona Creek, a water of the United States. The Discharger proposes to complete the project within 7 years from the commencement of the discharge activity.

**APPLICABLE EFFLUENT LIMITATIONS**

Based on the information provided in the NPDES Application Supplemental Requirements the Regional Board has determined that the constituents listed in the Table 1 below, show reasonable potential to exist in the discharge. Therefore, effluent limitations contained Part V. Tables 1 & 9 of Order No. R4-2013-0095 as listed in Table 1 below are applicable to the discharge. The discharge flows to the Ballona Creek therefore, the mineral effluent limitations in Attachment B of Order No. R4-2013-0095 are not applicable to the discharge. The Discharger must comply with all other parts of the Order, including, but not limited, to narrative effluent and receiving water limitations.

**Table 1:** The Discharger is required to comply with these effluent limitations during its enrollment under Order No. R4-2013-0095

Constituents	Units	Discharge Limitations			
		Daily Maximum		Monthly Average	
Total Suspended Solids	mg/L	75		50	
Turbidity	NTU	150		50	
BOD <sub>5</sub> 20°C	mg/L	30		20	
Oil and Grease	mg/L	15		10	
Settleable Solids	ml/L	0.3		0.1	
Sulfides	mg/L	1.0		N/A	
Phenols	mg/L	1.0		N/A	
Residual Chlorine	mg/L	0.1		N/A	
Methylene Blue Active Substances (MBAS)	mg/L	0.5		N/A	
1,1-dichloroethylene	µg/L	6		3.2	
Total Petroleum Hydrocarbons	µg/L	100			
<i>Ballona Creek Metals TMDL Effluent Limitations</i>		<b>Dry Weather<sup>1</sup></b>		<b>Wet Weather<sup>2</sup></b>	
		<b>Max. Daily</b>	<b>Avg. Monthly</b>	<b>Max. Daily</b>	<b>Avg. Monthly</b>
Copper	µg/L	39	20	18	9
Lead	µg/L	21	11	59	29
Zinc	µg/L	304	151	119	59

<sup>1</sup> For purposes of this General Permit, discharges occurring from April 15<sup>th</sup> through November 14<sup>th</sup> are considered dry weather discharges.

<sup>2</sup> For purposes of this General Permit, discharges occurring from November 15<sup>th</sup> through April 14<sup>th</sup> are considered wet weather discharges

**FREQUENCY OF DISCHARGE:**

The discharge of groundwater will be continuous and last for the duration of the construction project, which is expected to last about 7 years.

**FEASIBILITY OF CONSERVATION, REUSE, AND/OR ALTERNATIVE DISPOSAL METHODS OF WASTEWATER:**

The Discharger submitted a feasibility study to the Regional Board analyzing the water conservation, reuse, and/or alternative disposal options for the discharge. The Discharger found that transporting the groundwater off-site for disposal is not economically feasible. The Discharger initiated discussions with the City of Los Angeles Bureau of Sanitation regarding acceptance of groundwater into the sanitary sewer system. Due to the large volume short term flows, the City of Los Angeles could not allow continuous groundwater discharges into the sewer during wet-weather periods. The Discharger initiated discussions with the City of Beverly Hills regarding discharge of groundwater at the La Cienega Station site to an existing recycled water pipeline within the City. The City of Beverly Hills is evaluating the capital cost for pipelines considering that the discharge is temporary. The Discharger will use a limited quantity of the wastewater for dust control at the project site. Since reuse of the entire quantity of the discharge and alternative disposal methods are not feasible, the Discharger proposes to discharge the treated groundwater to a nearby storm drain that discharges to the Ballona Creek in compliance with the requirements of the attached Order No. R4-2013-0095.

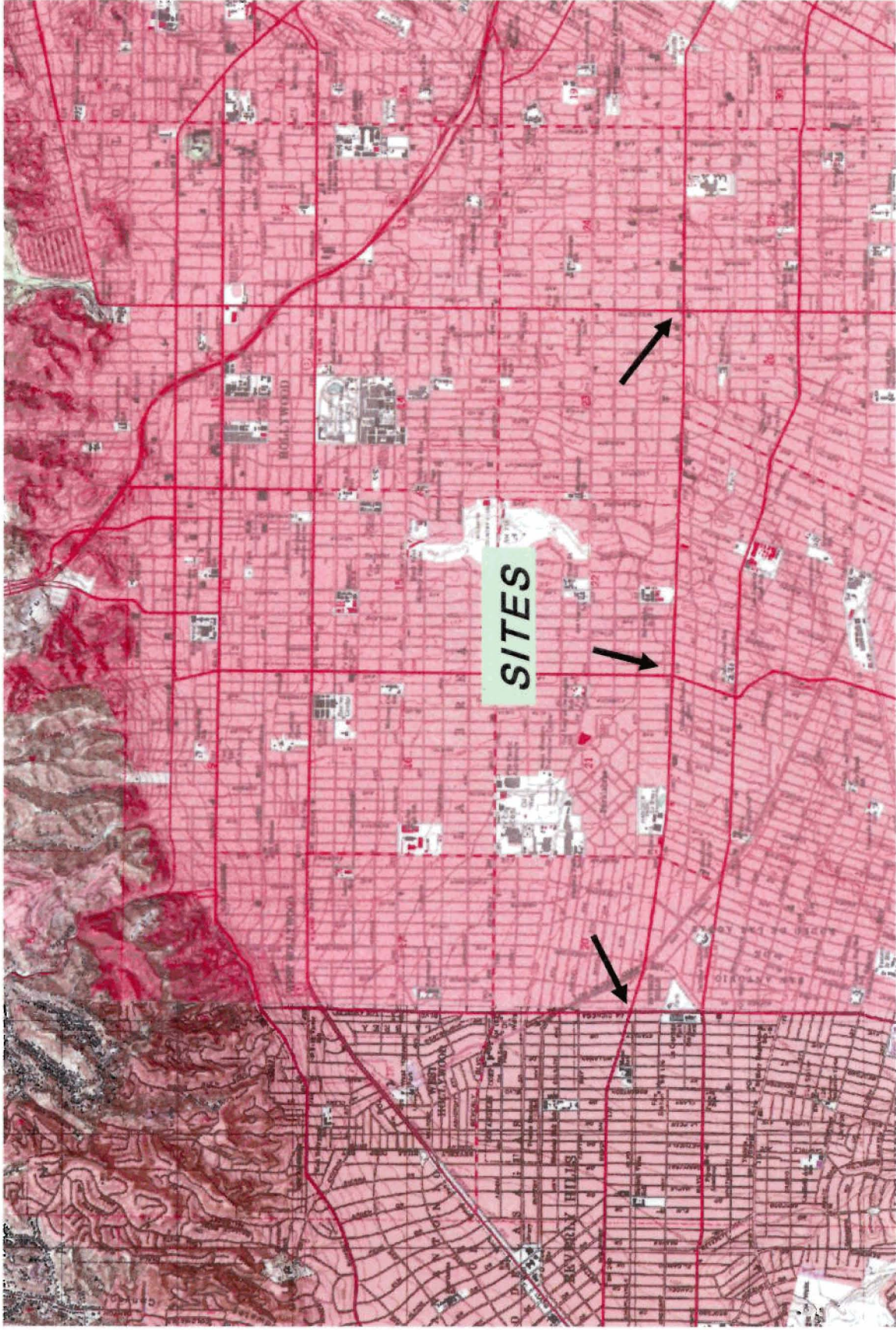
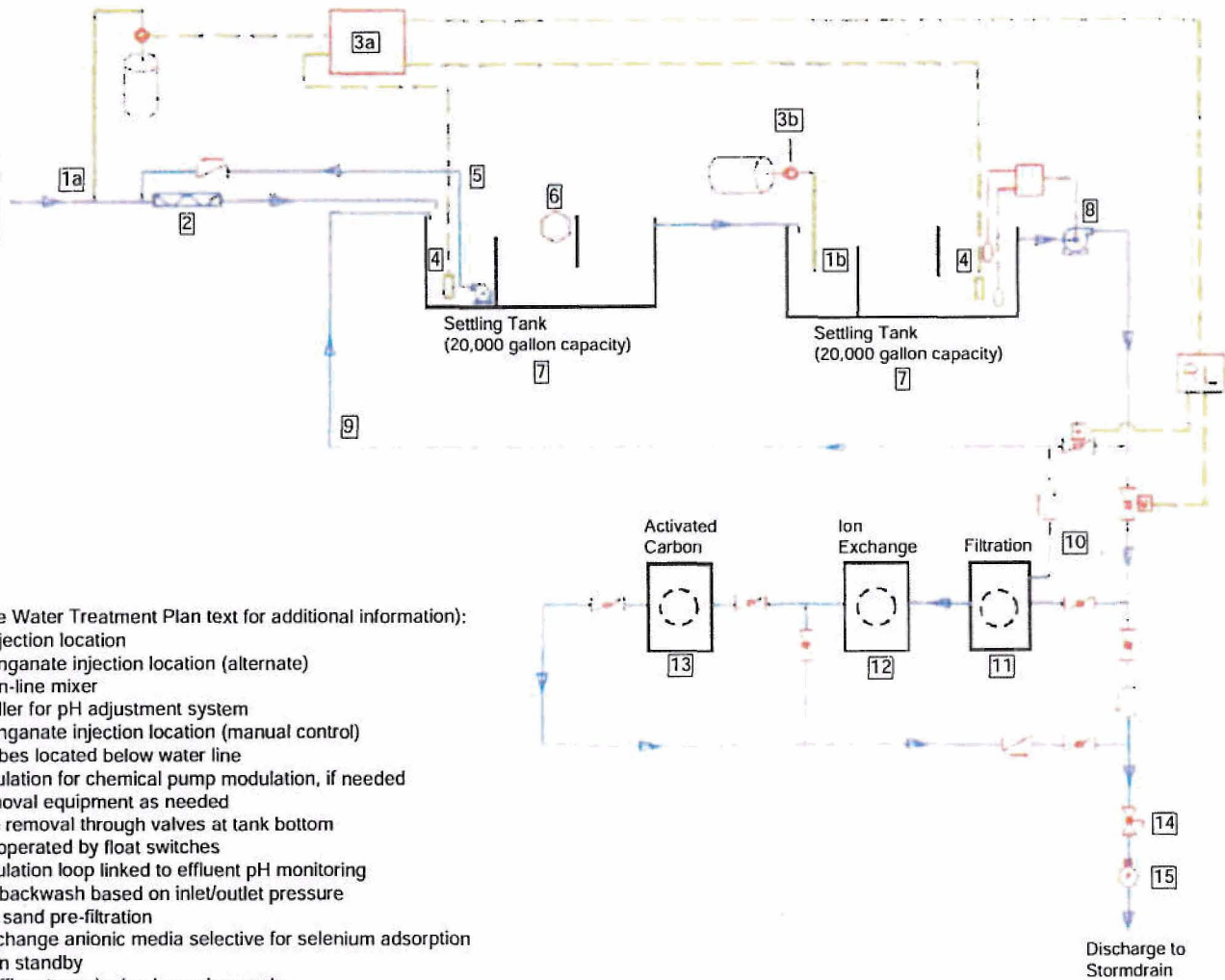


Figure 1. Site Locations

## GROUNDWATER TREATMENT SYSTEM

**INFLUENT:**  
Groundwater +  
Other NPDES GW Permit authorized water  
(depending on site logistics)



**Symbol Key:**

- Piping [16]
- Butterfly Valve
- Butterfly Valve - Motorized
- Check Valve
- Chemical Containment
- Chemical Dosing Pump
- Electrical/Instrument Line
- Flow Meter
- Float Switch
- Monitoring Probe
- Relay for Motorized Valves
- Sampling Port
- Tank Effluent Pump

- NOTES** (see Water Treatment Plan text for additional information):
- 1a. Acid injection location
  - 1b. Permanganate injection location (alternate)
  2. Static in-line mixer
  - 3a. Controller for pH adjustment system
  - 3b. Permanganate injection location (manual control)
  4. pH probes located below water line
  5. Recirculation for chemical pump modulation, if needed
  6. Oil removal equipment as needed
  7. Sludge removal through valves at tank bottom
  8. Pump operated by float switches
  9. Recirculation loop linked to effluent pH monitoring
  10. Media backwash based on inlet/outlet pressure
  11. Bag or sand pre-filtration
  12. Ion Exchange anionic media selective for selenium adsorption
  13. GAC on standby
  14. Final effluent monitoring by grab sample
  15. Totalizing Flowmeter
  16. 2"-4" pipe sizing for system interconnections



Westside Subway Extension Section 1 Project  
NPDES GW Permit 3 Site NOI  
FIGURE 2B - PROCESS FLOW DIAGRAM -  
WILSHIRE/LA BREA STATION SITE

Figure 2. Treatment Process

STATE OF CALIFORNIA  
CALIFORNIA REGIONAL WATER QUALITY CONTROL BOARD  
LOS ANGELES REGION

MONITORING AND REPORTING PROGRAM NO. CI-10245  
FOR  
DISCHARGES OF GROUNDWATER FROM CONSTRUCTION AND PROJECT DEWATERING  
TO SURFACE WATERS  
IN  
COASTAL WATERSHEDS OF LOS ANGELES AND VENTURA COUNTIES  
FOR  
LOS ANGELES COUNTY METROPOLITAN TRANSPORTATION AUTHORITY  
(GENERAL NPDES PERMIT NO. CAG994004, SERIES NO.: 080)

This Order was adopted by the Regional Water Board on:	June 6, 2013
This Order shall become effective on:	July 15, 2016
This Order shall expire on:	July 6, 2018
The U.S. Environmental Protection Agency (USEPA) and the Regional Water Board have classified this discharge as a minor discharge.	

Ordered By:   
Samuel Unger, P.E.  
Executive Officer

Date: July 15, 2016



## Table of Contents

I.	General Monitoring Provisions -----	3
II.	Monitoring Locations -----	7
III.	Effluent Monitoring Requirements -----	7
IV.	Whole Effluent Toxicity Testing Requirements -----	8
	A. Acute Toxicity Effluent Monitoring Program -----	8
	B. Reporting -----	9
V.	Land Discharge Monitoring Requirements (Not Applicable) -----	10
VI.	Reclamation Monitoring requirements (Not Applicable) -----	10
VII.	Receiving water monitoring requirements – Surface water and groundwater (Not Applicable) -----	10
VIII.	Other monitoring requirements (Not Applicable) -----	10
IX.	Reporting Requirements -----	10
	A. General Monitoring and Reporting Requirements -----	10
	B. Self Monitoring Reports -----	10
	C. Discharge Monitoring Reports (DMRs) (Not Applicable) -----	12
	D. Other Reports (Not Applicable) -----	12
	E. Notification -----	13
X.	Monitoring Frequencies Adjustment -----	13

## Monitoring and Reporting Program (MRP)

40 CFR section 122.48 requires that all NPDES permits specify monitoring and reporting requirements. Sections 13267 and 13383 of the CWC also authorize the Regional Water Board to require technical and monitoring reports. This MRP establishes monitoring and reporting requirements which implement the federal and California regulations.

### I. GENERAL MONITORING PROVISIONS

- A. An effluent sampling station shall be established for Discharge Point(s) M-001, M-002, and M-003, and shall be located where representative samples of that effluent can be obtained.
- B. This Regional Water Board shall be notified in writing of any change in the sampling stations once established or in the methods for determining the quantities of pollutants in the individual waste streams.
- C. Pollutants shall be analyzed using the analytical methods described in 40 CFR section Sections 136.3, 136.4, and 136.5 (revised March 12, 2007); or, where no methods are specified for a given pollutant, by methods approved by this Regional Water Board or the State Water Board.
- D. For any analyses performed for which no procedure is specified in the USEPA guidelines or in the MRP, the constituent or parameter analyzed and the method or procedure used must be specified in the monitoring report.
- E. Laboratories analyzing effluent samples and receiving water samples shall be certified by the California Department of Public Health Environmental Laboratory Approval Program (ELAP) or approved by the Executive Officer and must include QA/QC data in their reports. A copy of the laboratory certification shall be provided each time a new certification and/or renewal of the certification is obtained from ELAP.
- F. Each monitoring report must affirm in writing that "all analyses were conducted at a laboratory certified for such analyses by the California Department of Public Health or approved by the Executive Officer and in accordance with current USEPA guideline procedures or as specified in this Monitoring and Reporting Program".
- G. The monitoring reports shall specify the analytical method, the Method Detection Limit (MDL), and the State Water Board Minimum Level (ML) for each pollutant. For the purpose of reporting compliance with numerical limitations, performance goals, and receiving water limitations, analytical data shall be reported by one of the following methods, as appropriate:
  - 1. An actual numerical value for sample results greater than or equal to the ML; or
  - 2. "Detected, but Not Quantified (DNQ)" if results are greater than or equal to the laboratory's MDL but less than the ML; or

3. "Not Detected (ND)" for sample results less than the laboratory's MDL with the MDL indicated for the analytical method used.

Analytical data reported as "less than" for the purpose of reporting compliance with permit limitations shall be the same or lower than the permit limit(s) established for the given parameter.

Current MLs, which are listed in Appendix A, are those published by the State Water Resources Control Board in the *Policy for the Implementation of Toxics Standards for Inland Surface Waters, Enclosed Bays, and Estuaries of California*, March 2, 2000.

- H. Where possible, the MLs employed for effluent analyses shall be lower than the permit limitations established for a given parameter. If the ML value is not below the effluent limitation, then the lowest ML value and its associated analytical method shall be selected for compliance purposes. At least once a year, the Discharger shall submit a list of the analytical methods employed for each test and associated laboratory QA/QC procedures.

The Regional Water Board, in consultation with the State Water Board Quality Assurance Program, shall establish a ML that is not contained in Appendix A to be included in the Discharger's permit in any of the following situations:

1. When the pollutant under consideration is not included in Appendix A;
  2. When the Discharger and Regional Water Board agree to include in the permit a test method that is more sensitive than that specified in 40 CFR Part 136 (revised May 14, 1999);
  3. When the Discharger agrees to use an ML that is lower than that listed in Appendix A;
  4. When the Discharger demonstrates that the calibration standard matrix is sufficiently different from that used to establish the ML in Appendix A, and proposes an appropriate ML for their matrix; or,
  5. When the Discharger uses a method whose quantification practices are not consistent with the definition of an ML. Examples of such methods are the USEPA-approved method 1613 for dioxins and furans, method 1624 for volatile organic substances, and method 1625 for semi-volatile organic substances. In such cases, the Discharger, the Regional Water Board, and the State Water Board shall agree on a lowest quantifiable limit and that limit will substitute for the ML for reporting and compliance determination purposes.
- I. Water/wastewater samples must be analyzed within allowable holding time limits as specified in 40 CFR section 136.3. All QA/QC items must be run on the same dates the samples were actually analyzed, and the results shall be reported in the Regional Water Board format, when it becomes available, and submitted with the laboratory reports. Proper chain of custody procedures must be followed, and a copy of the chain of custody shall be submitted with the report.

- J. All analyses shall be accompanied by the chain of custody, including but not limited to data and time of sampling, sample identification, and name of person who performed sampling, date of analysis, name of person who performed analysis, QA/QC data, method detection limits, analytical methods, copy of laboratory certification, and a perjury statement executed by the person responsible for the laboratory.
- K. The Discharger shall calibrate and perform maintenance procedures on all monitoring instruments and to insure accuracy of measurements, or shall insure that both equipment activities will be conducted.
- L. The Discharger shall have, and implement, an acceptable written quality assurance (QA) plan for laboratory analyses. The 4<sup>th</sup> quarter monitoring report required in Section X.b.4. of this MRP shall also summarize the QA activities for the previous year. Duplicate chemical analyses must be conducted on a minimum of ten percent (10%) of the samples, or at least one sample per sampling period, whichever is greater. A similar frequency shall be maintained for analyzing spiked samples.
- M. When requested by the Regional Water Board or USEPA, the Discharger will participate in the NPDES discharge monitoring report QA performance study. The Discharger must have a success rate equal to or greater than 80%.
- N. For parameters that both monthly average and daily maximum limitations are specified and the monitoring frequency is less than four times a month, the following shall apply. If an analytical result is greater than the monthly average limitation, the Discharger shall collect four additional samples at approximately equal intervals, until compliance with the monthly average limitation has been demonstrated. All five analytical results shall be reported in the monitoring report for that month, or 45 days after results for the additional samples were received, whichever is later. In the event of noncompliance with a monthly average effluent limitation, the sampling frequency for that constituent shall be increased to weekly and shall continue at this level until compliance with the monthly average effluent limitation has been demonstrated. The Discharger shall provide for the approval of the Executive Officer a program to ensure future compliance with the monthly average limitation.
- O. In the event wastes are transported to a different disposal site during the report period, the following shall be reported in the monitoring report:
  - 1. Types of wastes and quantity of each type;
  - 2. Name and address for each hauler of wastes (or method of transport if other than by hauling); and
  - 3. Location of the final point(s) of disposal for each type of waste.

If no wastes are transported off-site during the reporting period, a statement to that effect shall be submitted.

- P. Each monitoring report shall state whether or not there was any change in the discharge as described in the Order during the reporting period.

All monitoring reports shall include the discharge limitations in the Order, tabulated analytical data, the chain of custody form, and the laboratory report (including but not

limited to date and time of sampling, date of analyses, method of analysis and detection limits).

- Q. Each monitoring report shall contain a separate section titled "Summary of Non-compliance" which discusses the compliance record and corrective action taken or planned that may be needed to bring the discharge into full compliance with waste discharge requirements. This section shall clearly list all non-compliance with waste discharge requirements, as well as all excursions of effluent limitations.
- R. Sample collection requirements (as appropriate)
  - a. Daily samples shall be collected each day.
  - b. Weekly samples shall be collected on a representative day of each week.
  - c. Monthly samples shall be collected on a representative day of each month
  - d. Quarterly samples shall be collected in February, May, August, and November.
  - e. Semi-annual samples shall be collected in May and November.
  - f. Annual samples shall be collected in November.
- S. Before commencing a new discharge, a representative sample of the effluent shall be collected and analyzed for all the constituents listed in Fact Sheet, and the test results must meet all applicable limitations of Order No. R4-2013-0095.
- T. In the event of presence of oil sheen, debris, and/or other objectionable materials or odors, discharge shall not commence until compliance with the requirements is demonstrated. All visual observations shall be included in the monitoring report.
- U. If monitoring results indicate an exceedance of a limit contained in Order R4-2013-0095, the discharge shall be terminated and shall only be resumed after remedial measures have been implemented and full compliance with the requirements has been ascertained.
- V. In addition, as applicable, following an effluent limit exceedance, the Discharger shall implement the following accelerated monitoring program:
  - a. Monthly monitoring shall be increased to weekly monitoring,
  - b. Quarterly monitoring shall be increased to monthly monitoring , and
  - c. Semi-annually monitoring shall be increased to quarterly.
  - d. Annual monitoring shall be increased to semi-annually.

If three consecutive accelerated monitoring events demonstrate full compliance with effluent limits, the Discharger may return to the regular monitoring frequency, with the approval of the Executive Officer of the Regional Water Board.

**II. MONITORING LOCATIONS**

The Discharger shall establish the following monitoring locations to demonstrate compliance with the effluent limitations, discharge specifications, and other requirements in this Order:

**Table 1. Monitoring Points Information**

Discharge Point Name	Monitoring Location Name	Monitoring Location Description
Discharge Point 1	M-001	Treated effluent, after treatment and before contact with the receiving water and/or dilution by any other water or waste.
Discharge Point 2	M-002	If more than one discharge point is authorized under the General Permit, compliance monitoring locations shall be named M-002, M-003, etc. and shall be located so as to allow collection of treated effluent after treatment and before contact with receiving water and/or dilution by any other water or waste.

**III. EFFLUENT MONITORING REQUIREMENTS**

- a. The Discharger shall monitor the effluent at Discharge Points M-001, M-002, and M-003 as specified in Table 2, below. *Representative effluent samples shall be collected after all treatment process (if any) while discharging and before contact or mixing with receiving water or other waters.*

**Table 2. Monitoring Requirements**

Parameter	Units	Sample Type	Minimum Sampling Frequency	Required Analytical Test Method
Flow	gal/day	totalizer	continuously	1
pH	pH units	grab	monthly	1
Temperature	°F	grab	monthly	1
Total Suspended Solids	mg/L	grab	monthly	1
Turbidity	NTU	grab	monthly	1
BOD <sub>5</sub> 20°C	mg/L	grab	monthly	1
Oil and Grease	mg/L	grab	monthly	1
Settleable Solids	ml/L	grab	monthly	1
Sulfides	mg/L	grab	monthly	1
Phenols	mg/L	grab	monthly	1
Residual Chlorine	mg/L	grab	monthly	1
Methylene Blue Active Substances (MBAS)	mg/L	grab	monthly	1

Parameter	Units	Sample Type	Minimum Sampling Frequency	Required Analytical Test Method
1,1-dichloroethylene	µg/L	grab	monthly <sup>2</sup>	1
Total Petroleum Hydrocarbons	µg/L	grab	monthly <sup>2</sup>	1
Copper	µg/L	grab	quarterly	1
Lead	µg/L	grab	quarterly	1
Zinc	µg/L	grab	quarterly	1
Acute Toxicity	% survival	grab	annually	1

Notes: 1: Pollutants shall be analyzed using the analytical methods described in 40 CFR Part 136; for priority pollutants the methods must meet the lowest minimum levels (MLs) specified in Attachment 4 of the SIP (and included as Appendix A of this Order), where no methods are specified for a given pollutant, by methods approved by this Regional Water Board or the State Water Board.  
 2: Weekly for the first month and monthly thereafter if no exceedance is observed.

#### IV. WHOLE EFFLUENT TOXICITY TESTING REQUIREMENTS

The MRP requires an annual test of Acute Toxicity, which measures primarily lethal effects that occur over a 96-hour period. Acute toxicity shall be recorded in percent survival measured in undiluted (100%) effluent.

##### A. Acute Toxicity Effluent Monitoring Program

1. The Discharger shall conduct acute toxicity tests on effluent samples (e.g., grab samples) by methods specified in 40 CFR Part 136 which cites USEPA's *Methods for Measuring the Acute Toxicity of Effluents and Receiving Waters to Freshwater and Marine Organisms*, Fifth Edition, October 2002, USEPA, Office of Water, Washington D.C. (EPA/821-R-02-012) or a more recent edition to ensure compliance in 100 % effluent.
2. The fathead minnow, *Pimephales promelas*, shall be used as the test species for discharge into freshwater and the topsmelt, *Atherinops affinis*, shall be used as the test species for discharge into coastal water. If the salinity of the receiving water is between 1 to 32 parts per thousand (ppt), the Discharger have the option of using the inland silverside, *Menidia beryllina*, instead of the topsmelt. The method for topsmelt (Larval Survival and Growth Test Method 1006.0) is found in USEPA's Short-term Methods for Estimating the Chronic Toxicity of Effluent and Receiving Waters to West Coast Marine and Estuarine Organisms, First Edition, August 1995 (EPA/600/R-95/136), or a more recent edition. The method for *Pimephales promelas* is found in USEPA's Acute Toxicity Test Method 2000.0 .and method for *Menidia beryllina* is found in USEPA's Acute Toxicity Test Method 2006.0, or a more recent edition.
3. In lieu of conducting the standard acute toxicity testing with the fathead minnow, the Discharger may elect to report the results or endpoint from the first 48 hours of the chronic toxicity test as the results of the acute toxicity test.

4. Accelerated Toxicity Monitoring: If the results of the toxicity test yield a survival of less than 90%, then the frequency of analyses shall increase to monthly until at least three test results have been obtained and full compliance with effluent limitations has been demonstrated, after which the frequency of analyses shall revert to annually. Results of toxicity tests shall be included in the first monitoring report following sampling.
5. Effluent samples shall be collected after all treatment processes and before discharge to the receiving water.

## **B. Reporting**

1. The Discharger shall submit a full report of the toxicity test results as required by this General Permit. Test results shall be reported as % survival for acute toxicity test results with the self monitoring reports (SMR) for the month in which the test is conducted.
  - a. The full report shall be submitted on or before the end of the month in which the SMR is submitted.
  - b. The full report shall consist of (1) the results; (2) the dates of sample collection and initiation of each toxicity test; (3) the acute toxicity average limit.
2. Test results for toxicity tests shall be reported according to the appropriate manual chapter on Report Preparation and shall be attached to the SMR. Routine reporting shall include, at a minimum, as applicable, for each test:
  - a. Sample date(s);
  - b. Test initiation date;
  - c. Test species;
  - d. End point values for each dilution (e.g., number of young, growth rate, percent survival);
  - e. Any applicable charts; and
  - f. Available water quality measurements for each test (e.g., pH, D.O., temperature, conductivity, hardness, salinity, ammonia).
3. The Discharger shall provide a compliance summary, which includes a summary table of toxicity data from all samples collected during that year.

The Discharger shall notify this Regional Water Board by calling Gensen Kai at (213) 576-6651 and by email to [gakai@waterboards.ca.gov](mailto:gakai@waterboards.ca.gov) of any toxicity exceedance of the limit or trigger within 24 hours of receipt of the results followed by a written report within 14 calendar days of receipt of the results. The verbal or electronic notification shall include the exceedance and the plan the Discharger has taken or will take to investigate and correct the cause(s) of toxicity. It may also include a status report on any actions required by the permit, with a schedule for actions not yet completed. If no actions have been taken, the reasons shall be given.



**V. LAND DISCHARGE MONITORING REQUIREMENTS (NOT APPLICABLE)**

**VI. RECLAMATION MONITORING REQUIREMENTS (NOT APPLICABLE)**

**VII. RECEIVING WATER MONITORING REQUIREMENTS – SURFACE WATER AND GROUNDWATER (NOT APPLICABLE)**

**VIII. OTHER MONITORING REQUIREMENTS (NOT APPLICABLE)**

**IX. REPORTING REQUIREMENTS**

**A. General Monitoring and Reporting Requirements**

1. The Discharger shall comply with all Standard Provisions (Attachment D) related to monitoring, reporting, and recordkeeping.
2. If there is no discharge during any reporting period, the report shall so state.
3. Each monitoring report shall contain a separate section titled “Summary of Non-Compliance” which discusses the compliance record and corrective actions taken or planned that may be needed to bring the discharge into full compliance with waste discharge requirements. This section shall clearly list all non-compliance with waste discharge requirements, as well as all excursions of effluent limitations.
4. The Discharger shall inform the Regional Water Board well in advance of any proposed construction activity that could potentially affect compliance with applicable requirements

**B. Self Monitoring Reports**

1. At any time during the term of this General Permit, the State or Regional Water Board may notify the Discharger to electronically submit Self-Monitoring Reports (SMRs) using the State Water Board’s California Integrated Water Quality System (CIWQS) Program Web site (<http://www.waterboards.ca.gov/ciwqs/index.html>). Until such notification is given, the Discharger shall email electronic copy of SMRs to [losangeles@waterboards.ca.gov](mailto:losangeles@waterboards.ca.gov). The CIWQS Web site will provide additional directions for SMR submittal in the event there will be service interruption for electronic submittal.
2. Paperless Submittal of SMRs: SMRs must be submitted to the Regional Water Board, signed and certified as required by the Standard Provisions (Attachment D). The Regional Water Board is implementing a paperless office system to reduce paper

use, increase efficiency and provide a more effective way for our staff, the public and interested parties to view water quality documents. Therefore, please convert all regulatory documents, submissions, data and correspondence that you would normally submit to us as hard copies to a searchable Portable Document Format (PDF). Documents that are less than 10 MB should be emailed to losangeles@waterboards.ca.gov. Documents that are 10 MB or larger should be transferred to a disk and mailed to the address listed below.

**CRWQCB – Los Angeles Region**  
**320 West 4<sup>th</sup> Street, Suite 200**  
**Los Angeles, CA 90013**  
**Attn: Information & Technology Unit**

If you need additional information regarding electronic submittal of documents please visit and navigate the Paperless Office pages in the Regional Water Board's website at <http://www.waterboards.ca.gov/losangeles/resources/Paperless/>.

3. The Discharger shall report in the SMR the results for all monitoring specified in this MRP. The Discharger shall submit SMRs including the results of all required monitoring using USEPA-approved test methods or other test methods specified in this Order. If the Discharger monitors any pollutant more frequently than required by this Order, the results of this monitoring shall be included in the calculations and reporting of the data submitted in the SMR.
4. Monitoring periods and reporting for all required monitoring shall be completed according to the following schedule:

**Table 4. Monitoring Periods and Reporting Schedule**

Sampling Frequency	Monitoring Period Begins On	Monitoring Period	SMR Due Date
Continuously	July 15, 2016	Continuously	Submit with quarterly SMR
Weekly	Sunday following permit effective date or on permit effective date if on a Sunday	Sunday through Saturday	Submit with quarterly SMR
Monthly	First day of calendar month following permit effective date or on permit effective date if that date is first day of the month	1 <sup>st</sup> day of calendar month through last day of calendar month	Submit with quarterly SMR
Quarterly	Closest of January 1, April 1, July 1, or October 1	January 1 through March 31 April 1 through June 30 July 1 through September 30 October 1 through December 31	45 days from the end of the monitoring period
Annually	January 1	January 1 through December 31	45 days from the end of the monitoring period

5. Reporting Protocols. The Discharger shall report with each sample result the applicable Reporting Level (RL) and the current Method Detection Limit (MDL), as determined by the procedure in Part 136.

The Discharger shall report the results of analytical determinations for the presence of chemical constituents in a sample using the following reporting protocols:

- a. Sample results greater than or equal to the RL shall be reported as measured by the laboratory (i.e., the measured chemical concentration in the sample).
- b. Sample results less than the RL, but greater than or equal to the laboratory's MDL, shall be reported as "Detected, but Not Quantified," or DNQ. The estimated chemical concentration of the sample shall also be reported.

For the purposes of data collection, the laboratory shall write the estimated chemical concentration next to DNQ as well as the words "Estimated Concentration" (may be shortened to "Est. Conc."). The laboratory may, if such information is available, include numerical estimates of the data quality for the reported result. Numerical estimates of data quality may be percent accuracy ( $\pm$  a percentage of the reported value), numerical ranges (low to high), or any other means considered appropriate by the laboratory.

- c. Sample results less than the laboratory's MDL shall be reported as "Not Detected," or ND.
  - d. Dischargers are to instruct laboratories to establish calibration standards so that the ML value (or its equivalent if there is differential treatment of samples relative to calibration standards) is the lowest calibration standard. At no time is the Discharger to use analytical data derived from *extrapolation* beyond the lowest point of the calibration curve.
6. The Discharger shall submit SMRs in accordance with the following requirements:
- a. Data Summary Tables: The Discharger shall arrange all reported data in a tabular format. The data shall be summarized to clearly illustrate whether the facility is operating in compliance with interim and/or final effluent limitations. The Discharger is not required to duplicate the submittal of data that is entered in a tabular format within CIWQS. When electronic submittal of data is required and CIWQS does not provide for entry into a tabular format within the system, the Discharger shall electronically submit the data in a tabular format as an attachment.
  - b. Cover letter and Summary of Non-Compliance: The Discharger shall attach a cover letter to the SMR. The information contained in the cover letter shall clearly identify violations of the WDRs; discuss corrective actions taken or planned; and the proposed time schedule for corrective actions. Identified violations must include a description of the requirement that was violated and a description of the violation.

**C. Discharge Monitoring Reports (DMRs) (Not Applicable)**

**D. Other Reports (Not Applicable)**

#### **E. Notification**

- A. The Discharger shall notify the Executive Officer in writing prior to discharge of any chemical which may be toxic to aquatic life. Such notification shall include:
1. Name and general composition of the chemical,
  2. Frequency of use,
  3. Quantities to be used,
  4. Proposed discharge concentrations and,
  5. EPA registration number, if applicable.

No discharge of such chemical shall be made prior to obtaining the Executive Officer's approval.

- B. The Discharger shall notify the Regional Board by calling Gensen Kai at (213) 576-6651 and/or email to [gkai@waterboards.ca.gov](mailto:gkai@waterboards.ca.gov) within 24 hours of noticing an exceedance above the effluent limits in Order No. R4-2013-0095. The Discharger shall provide to the Regional Board within 14 days of observing the exceedance a detailed statement of the actions undertaken or proposed that will bring the discharge into full compliance with the requirements and submit a timetable for correction.

#### **X. MONITORING FREQUENCIES ADJUSTMENT**

Monitoring frequencies may be adjusted by the Executive Officer to a less frequent basis if the Discharger makes a request and the request is backed by statistical trends of monitoring data submitted.