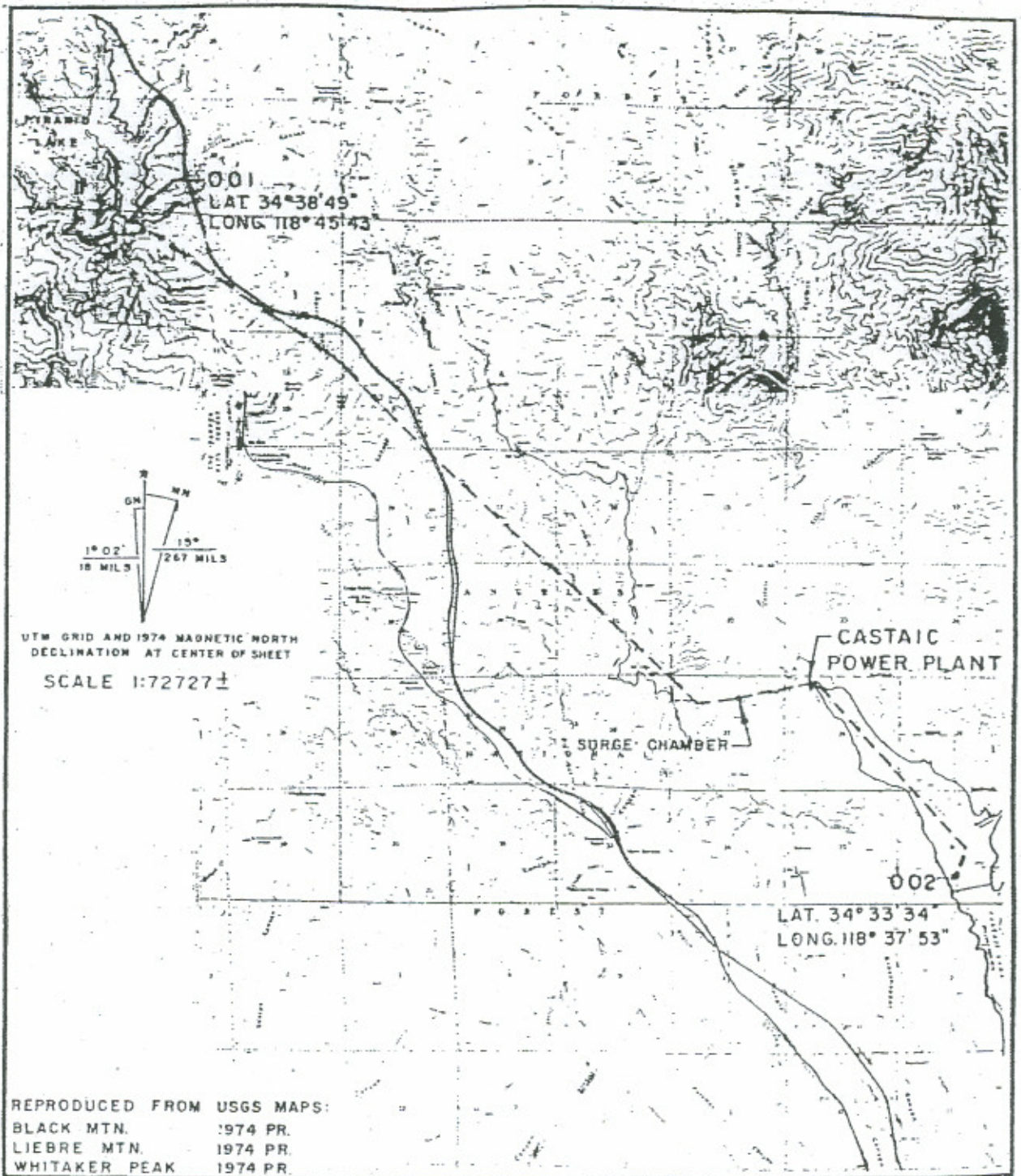


Figure 1. Castaic Power Plant (Pump Storage) facility Location



LOCATION MAP
CASTAIC POWER PLANT


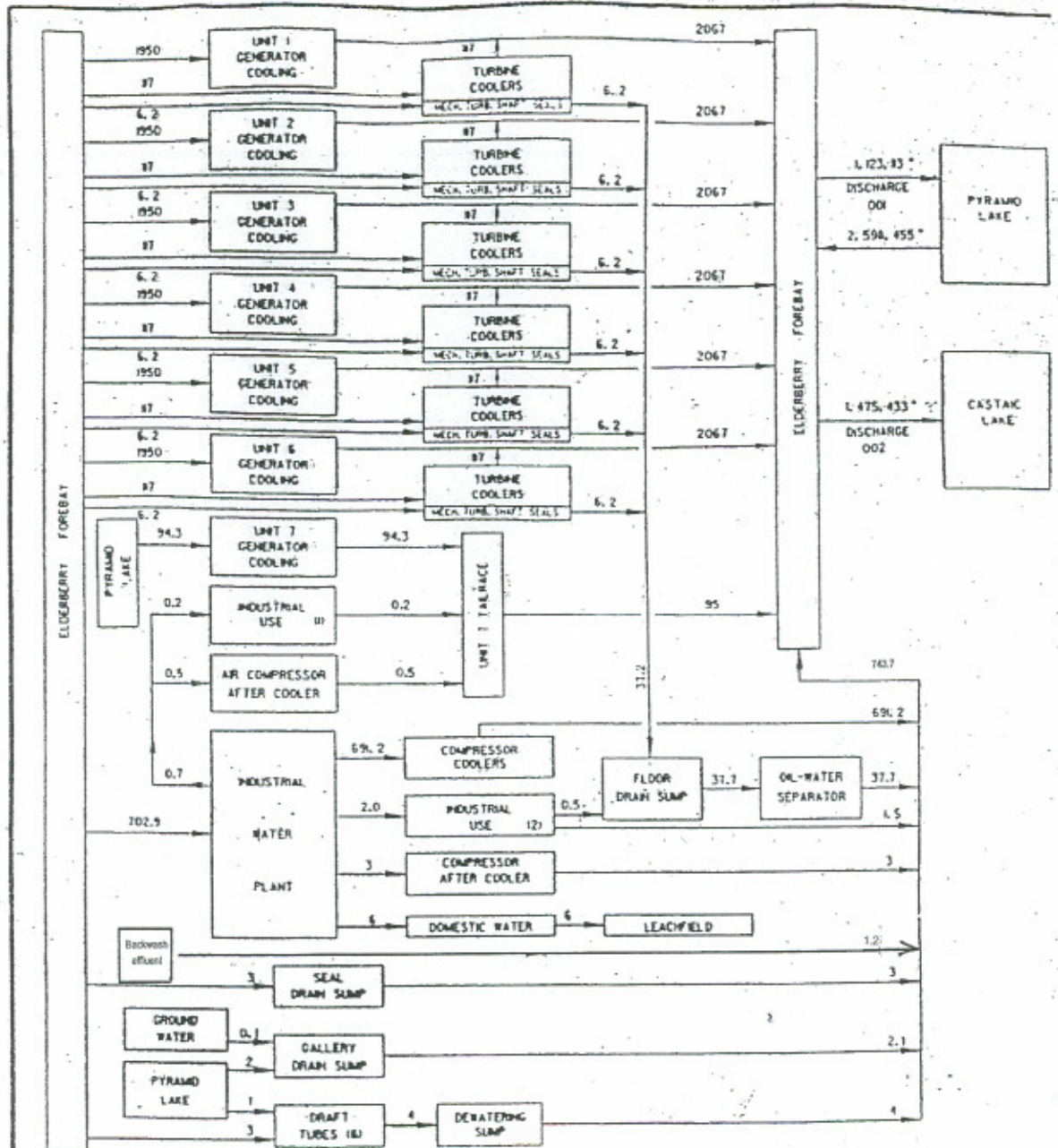
REV. NO.	DRWN	CHKD	DATE	DES. ENGR.	APP'D.
	D. A. B.		7-22-81	<i>Robert C. McFarland</i>	
 DEPARTMENT OF WATER AND POWER				DRAWING NUMBER DA-CR508	

Figure 2. Castaic Power Plant (Pump Storage) Process Flow Diagram



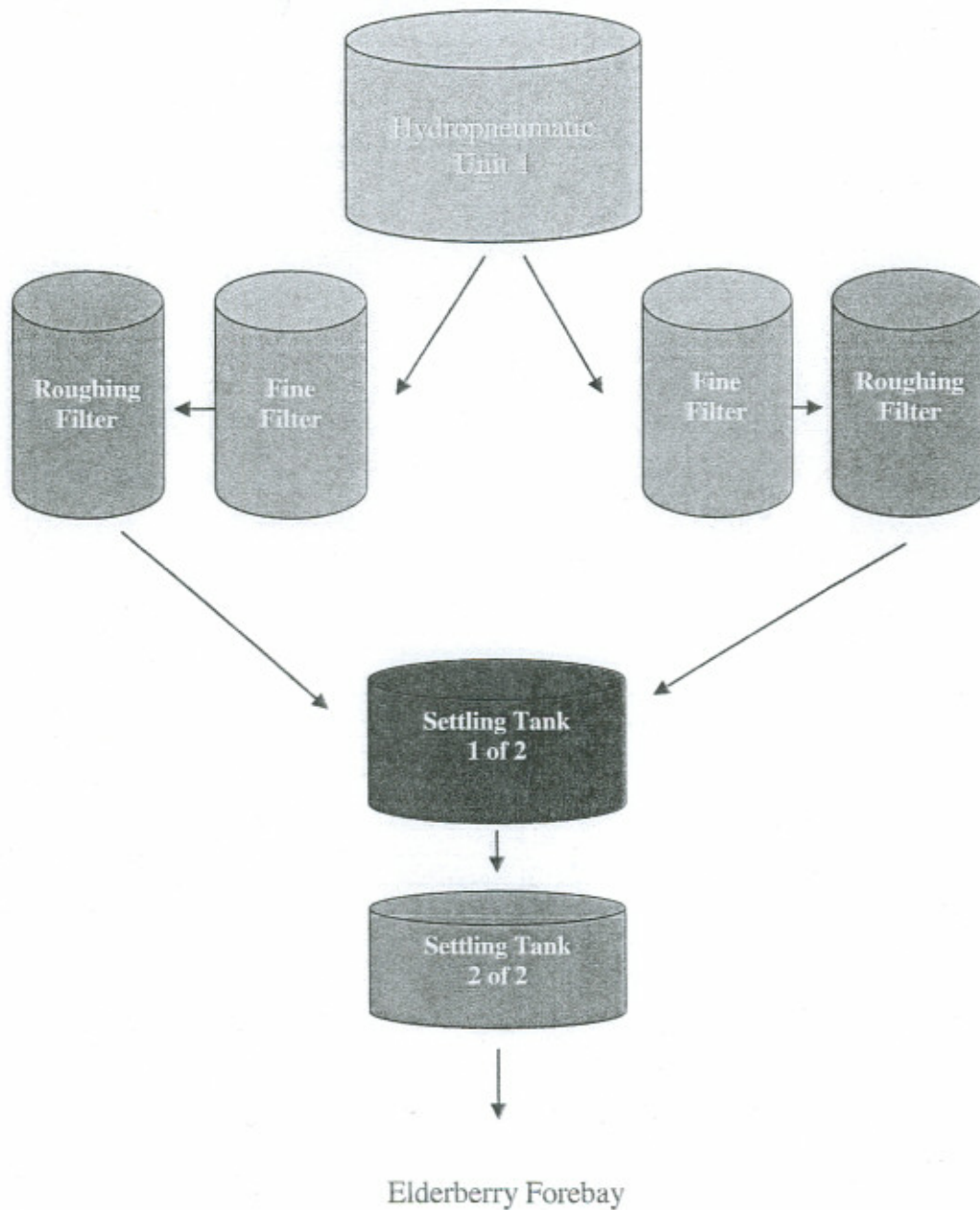
Notes:
 All flows are in thousands of gallons per day.
 Includes design flows through the turbine/generators.

REVISION		
NO 2	DRN KCC	END WS
<i>Mark J. Burtchuck</i> ENGINEERING APPROVAL		

**SCHEMATIC OF WATER FLOW
 CASTAIC POWER PLANT**

DRN	END	<i>Bruce J. McFarland</i>	<i>J. H. Schumann</i> 8-10-82
JCM	JOB	ENGINEERING APPROVAL	FINAL APPROVAL, RELEASE SIGNATURE

DESCRIPTION	DATE
DOTII:CHA24 MISC. REV.	



Process Schematic
Castaic Power Plant Potable Drinking Water System
Backwash Cycle

LITH	LITH	HIGHLIGHTED CALCULATIONS		ACQUISITION CALCULATIONS		LITH		LITH		LITH	LITH	LITH	LITH	LITH	LITH	LITH	LITH	LITH	LITH
		AMBL M + ECA + CN	NOCLABEL	ECA	LT	CA	LT	AMBL	AMBL										
		0	0	0	0	0	0	0	0	0	0	0	0	0	0	0	0	0	0
1	Albania																		
2	Algeria																		
3	Andorra																		
4	Angola																		
5	Antigua and Barbuda																		
6	Argentina																		
7	Armenia																		
8	Australia																		
9	Austria																		
10	Azerbaijan																		
11	Bahamas																		
12	Bahrain																		
13	Barbados																		
14	Belarus																		
15	Belgium																		
16	Belize																		
17	Benin																		
18	Bhutan																		
19	Bolivia																		
20	Bosnia and Herzegovina																		
21	Brazil																		
22	Brunei Darussalam																		
23	Bulgaria																		
24	Burkina Faso																		
25	Burundi																		
26	Cambodia																		
27	Cameroon																		
28	Canada																		
29	Cape Verde																		
30	Cayman Islands																		
31	Central African Republic																		
32	Chad																		
33	Chile																		
34	China																		
35	Colombia																		
36	Comoros																		
37	Congo																		
38	Congo (Brazzaville)																		
39	Congo (Kinshasa)																		
40	Costa Rica																		
41	Cote d'Ivoire																		
42	Croatia																		
43	Cuba																		
44	Cyprus																		
45	Czechia																		
46	Dominica																		
47	Dominican Republic																		
48	Dominican Republic																		
49	Dominican Republic																		
50	Dominican Republic																		
51	Dominican Republic																		
52	Dominican Republic																		
53	Dominican Republic																		
54	Dominican Republic																		
55	Dominican Republic																		
56	Dominican Republic																		
57	Dominican Republic																		
58	Dominican Republic																		
59	Dominican Republic																		
60	Dominican Republic																		
61	Dominican Republic																		
62	Dominican Republic																		
63	Dominican Republic																		
64	Dominican Republic																		
65	Dominican Republic																		
66	Dominican Republic																		
67	Dominican Republic																		
68	Dominican Republic																		
69	Dominican Republic																		
70	Dominican Republic																		
71	Dominican Republic																		
72	Dominican Republic																		
73	Dominican Republic																		
74	Dominican Republic																		
75	Dominican Republic																		
76	Dominican Republic																		
77	Dominican Republic																		
78	Dominican Republic																		
79	Dominican Republic																		
80	Dominican Republic																		
81	Dominican Republic																		
82	Dominican Republic																		
83	Dominican Republic																		
84	Dominican Republic																		
85	Dominican Republic																		
86	Dominican Republic																		
87	Dominican Republic																		
88	Dominican Republic																		
89	Dominican Republic																		
90	Dominican Republic																		
91	Dominican Republic																		
92	Dominican Republic																		
93	Dominican Republic																		
94	Dominican Republic																		
95	Dominican Republic																		
96	Dominican Republic																		
97	Dominican Republic																		
98	Dominican Republic																		
99	Dominican Republic																		
100	Dominican Republic																		

CITE	Description	HUMAN HEALTH CALCULATION		AQUATIC LIFE CALCULATION		CARTS		Recommendation	Comments
		AMBI.HI = ECA * c-M * WQS/AMBI D only multiplier	WQS.HI	ECA with 10% year margin	ECA chronic margin	AMBI margin	AMBI margin		
94	Permethrin								
95	Permethrin								
100	Permethrin								
101	1,4-DCIP								
102	1,4-DCIP								
103	1,4-DCIP								
104	1,4-DCIP								
105	1,4-DCIP								
106	1,4-DCIP								
107	1,4-DCIP								
108	1,4-DCIP								
109	1,4-DCIP								
110	1,4-DCIP								
111	1,4-DCIP								
112	1,4-DCIP								
113	1,4-DCIP								
114	1,4-DCIP								
115	1,4-DCIP								
116	1,4-DCIP								
117	1,4-DCIP								
118	1,4-DCIP								
119	1,4-DCIP								
120	1,4-DCIP								

CIRB	Parameter	Unit	CV	MED	MCI	CIRB model results (CIRB model)				Lateral Deflection		Top Node		Mid Node		Base Node		Base Node		Reason	
						Frequency	C deflection	C deflection	C deflection	CMC HI	CCM HI	CMC HI	CCM HI	CMC HI	CCM HI	CMC HI	CCM HI	CMC HI	CCM HI		CMC HI
66	Vertical	mm	1.0	1																	
67	Horizontal	mm	1.0	1																	
68	Vertical	mm	1.0	1																	
69	Horizontal	mm	1.0	1																	
70	Vertical	mm	1.0	1																	
71	Horizontal	mm	1.0	1																	
72	Vertical	mm	1.0	1																	
73	Horizontal	mm	1.0	1																	
74	Vertical	mm	1.0	1																	
75	Horizontal	mm	1.0	1																	
76	Vertical	mm	1.0	1																	
77	Horizontal	mm	1.0	1																	
78	Vertical	mm	1.0	1																	
79	Horizontal	mm	1.0	1																	
80	Vertical	mm	1.0	1																	
81	Horizontal	mm	1.0	1																	
82	Vertical	mm	1.0	1																	
83	Horizontal	mm	1.0	1																	
84	Vertical	mm	1.0	1																	
85	Horizontal	mm	1.0	1																	
86	Vertical	mm	1.0	1																	
87	Horizontal	mm	1.0	1																	
88	Vertical	mm	1.0	1																	
89	Horizontal	mm	1.0	1																	
90	Vertical	mm	1.0	1																	
91	Horizontal	mm	1.0	1																	
92	Vertical	mm	1.0	1																	
93	Horizontal	mm	1.0	1																	
94	Vertical	mm	1.0	1																	
95	Horizontal	mm	1.0	1																	
96	Vertical	mm	1.0	1																	
97	Horizontal	mm	1.0	1																	
98	Vertical	mm	1.0	1																	
99	Horizontal	mm	1.0	1																	
100	Vertical	mm	1.0	1																	
101	Horizontal	mm	1.0	1																	
102	Vertical	mm	1.0	1																	
103	Horizontal	mm	1.0	1																	
104	Vertical	mm	1.0	1																	
105	Horizontal	mm	1.0	1																	
106	Vertical	mm	1.0	1																	
107	Horizontal	mm	1.0	1																	
108	Vertical	mm	1.0	1																	
109	Horizontal	mm	1.0	1																	
110	Vertical	mm	1.0	1																	
111	Horizontal	mm	1.0	1																	
112	Vertical	mm	1.0	1																	
113	Horizontal	mm	1.0	1																	
114	Vertical	mm	1.0	1																	
115	Horizontal	mm	1.0	1																	
116	Vertical	mm	1.0	1																	
117	Horizontal	mm	1.0	1																	
118	Vertical	mm	1.0	1																	
119	Horizontal	mm	1.0	1																	
120	Vertical	mm	1.0	1																	

CIR#	Parameter	HUMAN HEALTH CALCULATIONS			Aquatic Life Calculations			Terrestrial Toxicity (Insecta 1 and 2 & 3)			Limits	Restrictions	Comments
		AMEL In = ECA * CH	MELEVEL	MEEL In	AMEL In = ECA * CH	MELEVEL	MEEL In	AMEL In = ECA * CH	MELEVEL	MEEL In			
1	1,1-Dichloroethane												
2	1,1-Dichloroethene												
3	1,1-Dichloroethane												
4	1,1-Dichloroethene												
5	1,1-Dichloroethane												
6	1,1-Dichloroethene												
7	1,1-Dichloroethane												
8	1,1-Dichloroethene												
9	1,1-Dichloroethane												
10	1,1-Dichloroethene												
11	1,1-Dichloroethane												
12	1,1-Dichloroethene												
13	1,1-Dichloroethane												
14	1,1-Dichloroethene												
15	1,1-Dichloroethane												
16	1,1-Dichloroethene												
17	1,1-Dichloroethane												
18	1,1-Dichloroethene												
19	1,1-Dichloroethane												
20	1,1-Dichloroethene												
21	1,1-Dichloroethane												
22	1,1-Dichloroethene												
23	1,1-Dichloroethane												
24	1,1-Dichloroethene												
25	1,1-Dichloroethane												
26	1,1-Dichloroethene												
27	1,1-Dichloroethane												
28	1,1-Dichloroethene												
29	1,1-Dichloroethane												
30	1,1-Dichloroethene												
31	1,1-Dichloroethane												
32	1,1-Dichloroethene												
33	1,1-Dichloroethane												
34	1,1-Dichloroethene												
35	1,1-Dichloroethane												
36	1,1-Dichloroethene												
37	1,1-Dichloroethane												
38	1,1-Dichloroethene												
39	1,1-Dichloroethane												
40	1,1-Dichloroethene												
41	1,1-Dichloroethane												
42	1,1-Dichloroethene												
43	1,1-Dichloroethane												
44	1,1-Dichloroethene												
45	1,1-Dichloroethane												
46	1,1-Dichloroethene												
47	1,1-Dichloroethane												
48	1,1-Dichloroethene												
49	1,1-Dichloroethane												
50	1,1-Dichloroethene												
51	1,1-Dichloroethane												
52	1,1-Dichloroethene												
53	1,1-Dichloroethane												
54	1,1-Dichloroethene												
55	1,1-Dichloroethane												
56	1,1-Dichloroethene												
57	1,1-Dichloroethane												
58	1,1-Dichloroethene												
59	1,1-Dichloroethane												
60	1,1-Dichloroethene												
61	1,1-Dichloroethane												
62	1,1-Dichloroethene												
63	1,1-Dichloroethane												
64	1,1-Dichloroethene												
65	1,1-Dichloroethane												
66	1,1-Dichloroethene												
67	1,1-Dichloroethane												
68	1,1-Dichloroethene												
69	1,1-Dichloroethane												
70	1,1-Dichloroethene												
71	1,1-Dichloroethane												
72	1,1-Dichloroethene												
73	1,1-Dichloroethane												
74	1,1-Dichloroethene												
75	1,1-Dichloroethane												
76	1,1-Dichloroethene												
77	1,1-Dichloroethane												
78	1,1-Dichloroethene												
79	1,1-Dichloroethane												
80	1,1-Dichloroethene												
81	1,1-Dichloroethane												
82	1,1-Dichloroethene												
83	1,1-Dichloroethane												
84	1,1-Dichloroethene												
85	1,1-Dichloroethane												
86	1,1-Dichloroethene												
87	1,1-Dichloroethane												
88	1,1-Dichloroethene												
89	1,1-Dichloroethane												
90	1,1-Dichloroethene												
91	1,1-Dichloroethane												
92	1,1-Dichloroethene												
93	1,1-Dichloroethane												
94	1,1-Dichloroethene												
95	1,1-Dichloroethane												
96	1,1-Dichloroethene												
97	1,1-Dichloroethane												
98	1,1-Dichloroethene												
99	1,1-Dichloroethane												
100	1,1-Dichloroethene												

CDSR	Parameter	Operator only		ECA with multiplier		LTA		LTA		LTA		LTA		LTA		LTA		Limits	Recommendation	Comment
		AVEL 3h * ECA * C/N	NOEL/AVEL multiplier	ECA with multiplier	C/N	chronic multiplier	LTA	LTA	LTA	LTA	LTA	LTA	LTA	LTA	LTA	LTA	LTA			
55	Paracetamol																			
56	Paracetamol																			
57	Paracetamol																			
58	Paracetamol																			
59	Paracetamol																			
60	Paracetamol																			
61	Paracetamol																			
62	Paracetamol																			
63	Paracetamol																			
64	Paracetamol																			
65	Paracetamol																			
66	Paracetamol																			
67	Paracetamol																			
68	Paracetamol																			
69	Paracetamol																			
70	Paracetamol																			
71	Paracetamol																			
72	Paracetamol																			
73	Paracetamol																			
74	Paracetamol																			
75	Paracetamol																			
76	Paracetamol																			
77	Paracetamol																			
78	Paracetamol																			
79	Paracetamol																			
80	Paracetamol																			
81	Paracetamol																			
82	Paracetamol																			
83	Paracetamol																			
84	Paracetamol																			
85	Paracetamol																			
86	Paracetamol																			
87	Paracetamol																			
88	Paracetamol																			
89	Paracetamol																			
90	Paracetamol																			
91	Paracetamol																			
92	Paracetamol																			
93	Paracetamol																			
94	Paracetamol																			
95	Paracetamol																			
96	Paracetamol																			
97	Paracetamol																			
98	Paracetamol																			
99	Paracetamol																			
100	Paracetamol																			
101	Paracetamol																			
102	Paracetamol																			
103	Paracetamol																			
104	Paracetamol																			
105	Paracetamol																			
106	Paracetamol																			
107	Paracetamol																			
108	Paracetamol																			
109	Paracetamol																			
110	Paracetamol																			
111	Paracetamol																			
112	Paracetamol																			
113	Paracetamol																			
114	Paracetamol																			
115	Paracetamol																			
116	Paracetamol																			
117	Paracetamol																			
118	Paracetamol																			
119	Paracetamol																			
120	Paracetamol																			