

Germinario, Lena@Waterboards

From: Granquist, Nicole <ngranquist@DowneyBrand.com>
Sent: Wednesday, June 7, 2017 10:21 PM
To: Germinario, Lena@Waterboards; Keith.Krugh@LehighHanson.com
Cc: Sam.Barket@LehighHanson.com; Erika.Guerra@LehighHanson.com; Johnson, Bill@Waterboards; Madigan, John@Waterboards; Whyte, Dyan@Waterboards; Granquist, Nicole
Subject: RE: Tentative Orders Amending Order Nos. R2 2014-0010 (NPDES Permit CA0030210) and R2-2014-0011 (Cease and Desist Order), Lehigh Southwest Cement Company and Hanson Permanente Cement, Inc., Permanente Plant, Santa Clara County
Attachments: FTS01 Rev08.pdf

Lena,

Thank you for the opportunity to comment. Lehigh noticed that the "Pearl Harbor" tank was inadvertently omitted from the final flow configuration line drawing, and submits a revised figure here, with Pearl Harbor noted (as a source of storm water flows within the Cement Plant Reclaim System), simply for accuracy (no substantive change). Further, Lehigh now has more exact coordinates from which it plans to sample EFF-001 (Table E-1), page 4 of the permit amendment (N 1942091.8, E 6099830.2), please let us know if you would like further details for inclusion in the documents prior to the Regional Water Board hearing.

Thank you.

Nicole E. Granquist

DOWNEY BRAND

Downey Brand LLP
621 Capitol Mall, 18th Floor
Sacramento, CA 95814
916.444.1000 Main
916.520.5369 Direct
916.520.5769 Fax
ngranquist@downeybrand.com
www.downeybrand.com

From: Germinario, Lena@Waterboards [mailto:Lena.Germinario@Waterboards.ca.gov]
Sent: Friday, May 12, 2017 5:34 PM
To: Keith.Krugh@LehighHanson.com
Cc: joannem@acterra.org; jlucas1099@aol.com; alice@greenfoothills.org; balmon@pacbell.net; sejal@baykeeper.org; alex@baykeeper.org; jason@baykeeper.org; shani@scvas.org; reedzars@gmail.com; tbui@baaqmd.gov; tstevens@dfg.ca.gov; manager@cupertino.org; rickk@cupertino.org; Rob.Eastwood@pln.sccgov.org; Nash.Gonzalez@pln.sccgov.org; Christopher.Hoem@pln.sccgov.org; councilbarry@gmail.com; rodsinks@gmail.com; gcwaldeck@gmail.com; ccahill@losaltoshills.ca.gov; savila@losaltoshills.ca.gov; kitgordona@gmail.com; chalmers@smwlaw.com; sschaffner@openspace.org; Marc.Melnick@doj.ca.gov; pangell@pmcworld.com; Richard.Owens@deh.sccgov.org; Jim.Blamey@deh.sccgov.org; ncamacho@valleywater.org; adraper@valleywater.org; celias@valleywater.org; bgoldie@valleywater.org; klueneburger@valleywater.org; Watson.Diane@dol.gov; Blake.Ellen@epa.gov; Greenberg.Ken@epamail.epa.gov; Becky.Mitschele@epamail.epa.gov; Gholson.Greg@epamail.epa.gov; Jurist.Karen@epa.gov; Glyn.Rebecca@epa.gov; barry.bace@gmail.com; fryhouse@earthlink.net; sharpset1@aol.com; mondy@sccreeks.org; mulvey@ix.netcom.com; Greg.Knapp@hanson.biz;

Sam.Barket@LehighHanson.com; Alan.Sabawi@LehighHanson.com; Erika.Guerra@LehighHanson.com; Granquist, Nicole; Johnson, Bill@Waterboards; Madigan, John@Waterboards; Whyte, Dyan@Waterboards

Subject: Tentative Orders Amending Order Nos. R2 2014-0010 (NPDES Permit CA0030210) and R2-2014-0011 (Cease and Desist Order), Lehigh Southwest Cement Company and Hanson Permanente Cement, Inc., Permanente Plant, Santa Clara County

Dear Mr. Krugh:

Please find attached a copy of the public notice, tentative permit amendment, and tentative cease and desist order amendment for Lehigh Southwest Cement Company, Inc., Permanente Plant, Santa Clara County.

Please reply to confirm receipt of this message and attachments.

Thank you,

Lena Germinario

Scientific Aid

San Francisco Bay Regional Water Board

1515 Clay Street, Suite 1400

Oakland, CA 94612

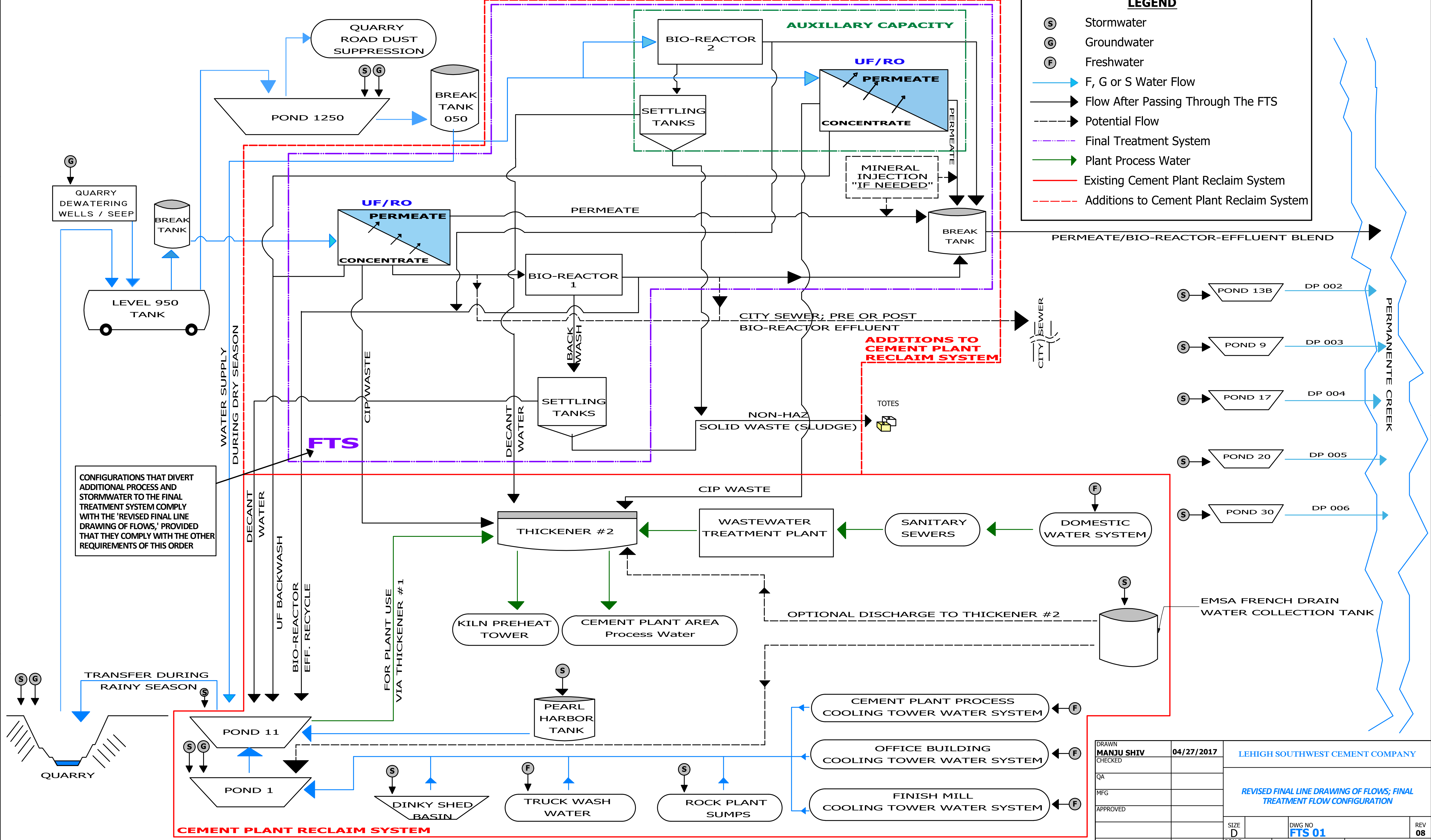
Office: (510) 622-2359

CONFIDENTIALITY NOTICE: This communication and any accompanying document(s) are confidential and privileged. They are intended for the sole use of the addressee. If you receive this transmission in error, you are advised that any disclosure, copying, distribution, or the taking of any action in reliance upon the communication is strictly prohibited. Moreover, any such inadvertent disclosure shall not compromise or waive the attorney-client privilege as to this communication or otherwise. **If you have received this communication in error**, please contact our IS Department at its Internet email address (is@downeybrand.com), or by telephone at (916)444-1000 x5325. Thank you.

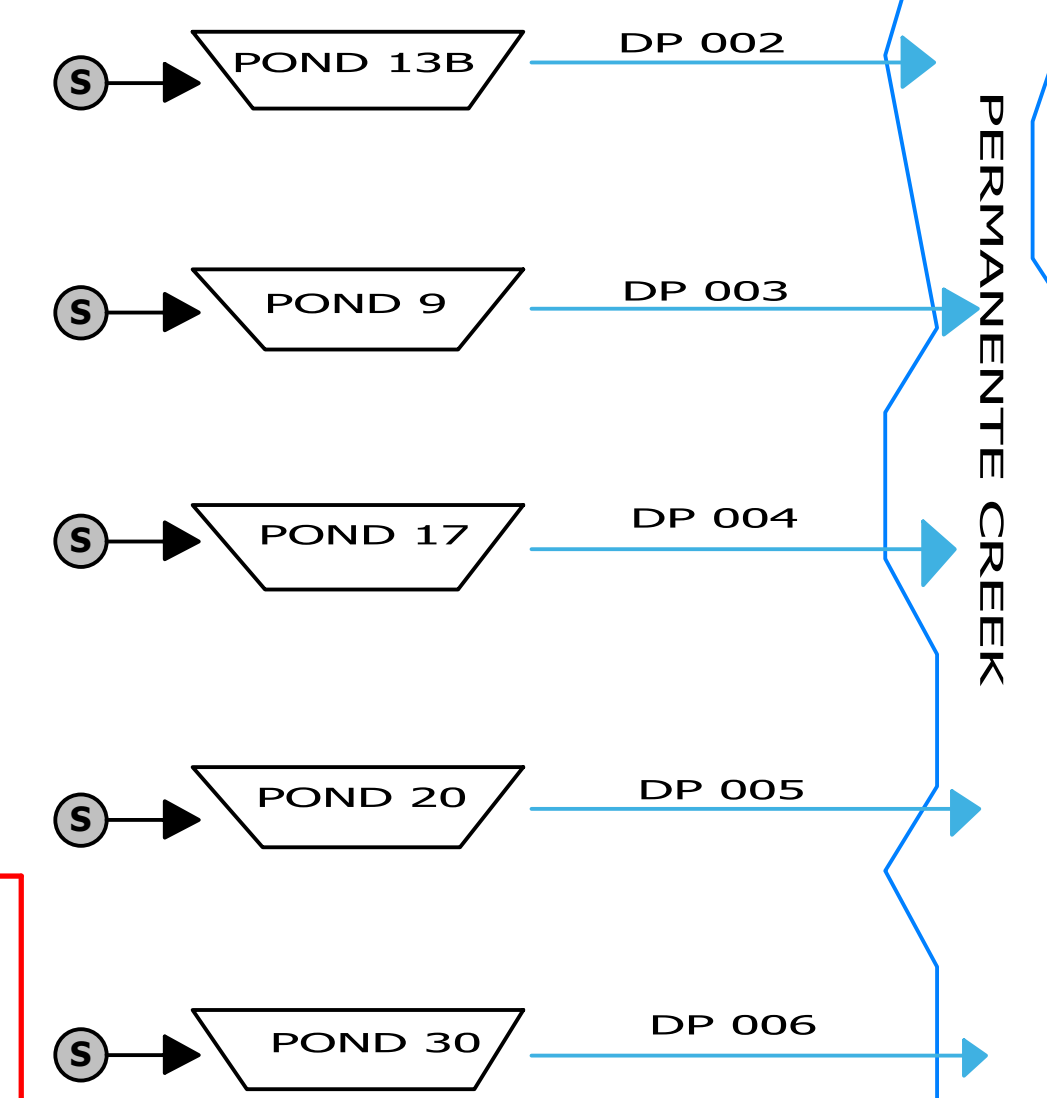
REVISED FINAL LINE DRAWING OF FLOWS; FINAL TREATMENT FLOW CONFIGURATION

LEGEND

- (S) Stormwater
- (G) Groundwater
- (F) Freshwater
- F, G or S Water Flow
- Flow After Passing Through The FTS
- - - Potential Flow
- - - Final Treatment System
- Plant Process Water
- Existing Cement Plant Reclaim System
- - - Additions to Cement Plant Reclaim System



CONFIGURATIONS THAT DIVERT ADDITIONAL PROCESS AND STORMWATER TO THE FINAL TREATMENT SYSTEM COMPLY WITH THE 'REVISED FINAL LINE DRAWING OF FLOWS,' PROVIDED THAT THEY COMPLY WITH THE OTHER REQUIREMENTS OF THIS ORDER



DRAWN	MANJU SHIV	04/27/2017	LEHIGH SOUTHWEST CEMENT COMPANY	
CHECKED			REVISED FINAL LINE DRAWING OF FLOWS; FINAL TREATMENT FLOW CONFIGURATION	
QA				
MFG				
APPROVED				
SIZE	D	DWG NO	FTS 01	REV
SCALE				08
			SHEET 1 OF 1	